

TECHNICAL DATA SHEET



PMB4-24/600

9 phases low voltage battery charger alternators

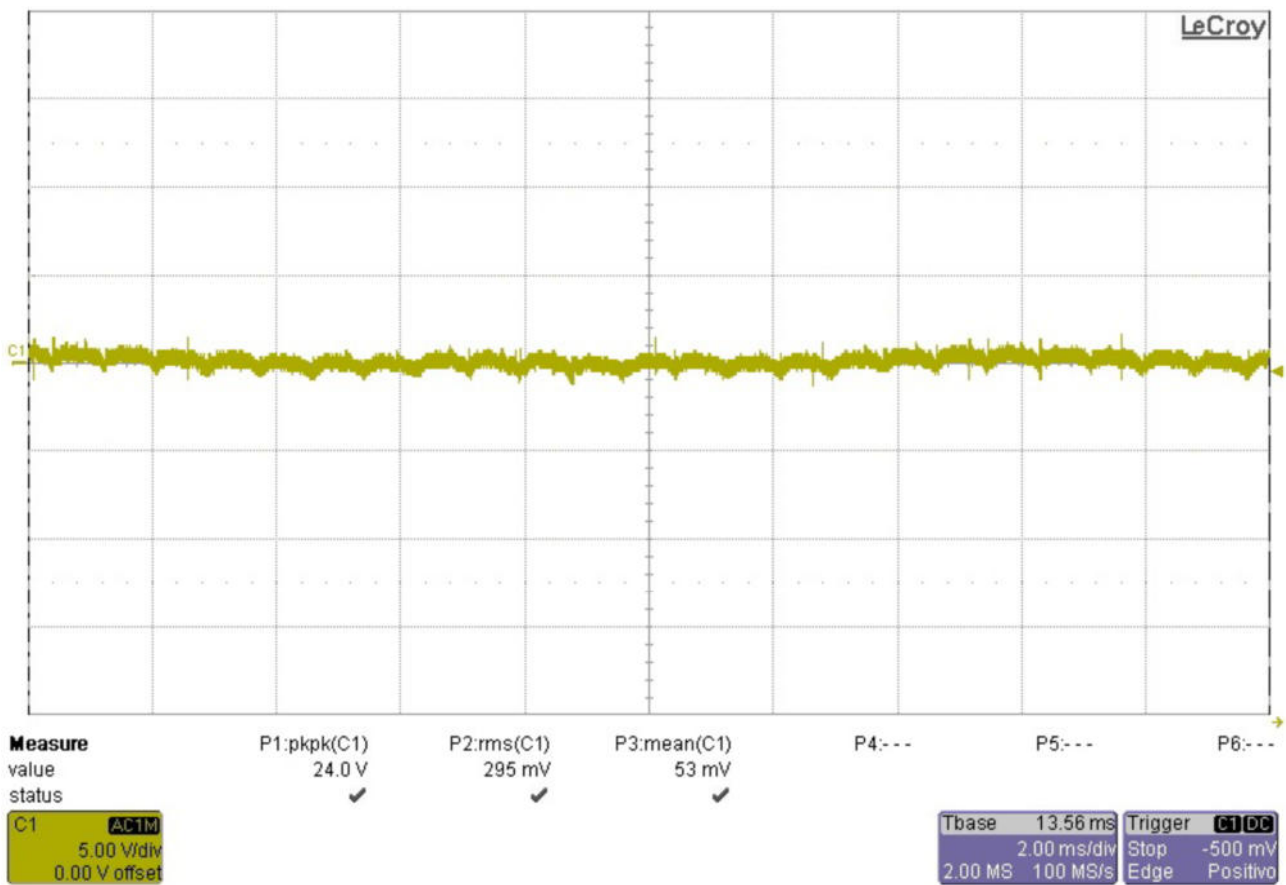
TYPICAL FEATURES

- Very low output ripple: < 1% without battery (see picture 1)
- Output voltage: 24V_{DC}
- Max. power output: 17kW @ 1500RPM (see picture 2)
- Max. rectified current: 600A_{DC}
- From 1300 to 2100 RPM
- AVR output voltage that allows:
 - ± 0,5% of voltage accuracy
 - Over-excitation protection
 - Under-speed protection
- Brushless alternator with auxiliary winding
- Nine Phases AC source
- Oversized and reliable internal DC power rectifier: up to 600A with air flow
- Protection of stator winding and rectifier with thermal trips
- Special socket to guarantee simple, safe and durable connections.
- IP23
- SAE Coupling
- Weight: 175.5 kg
- J: 0.219 kgm²

PMB4-24/600

TYPICAL TECHNICAL DATA

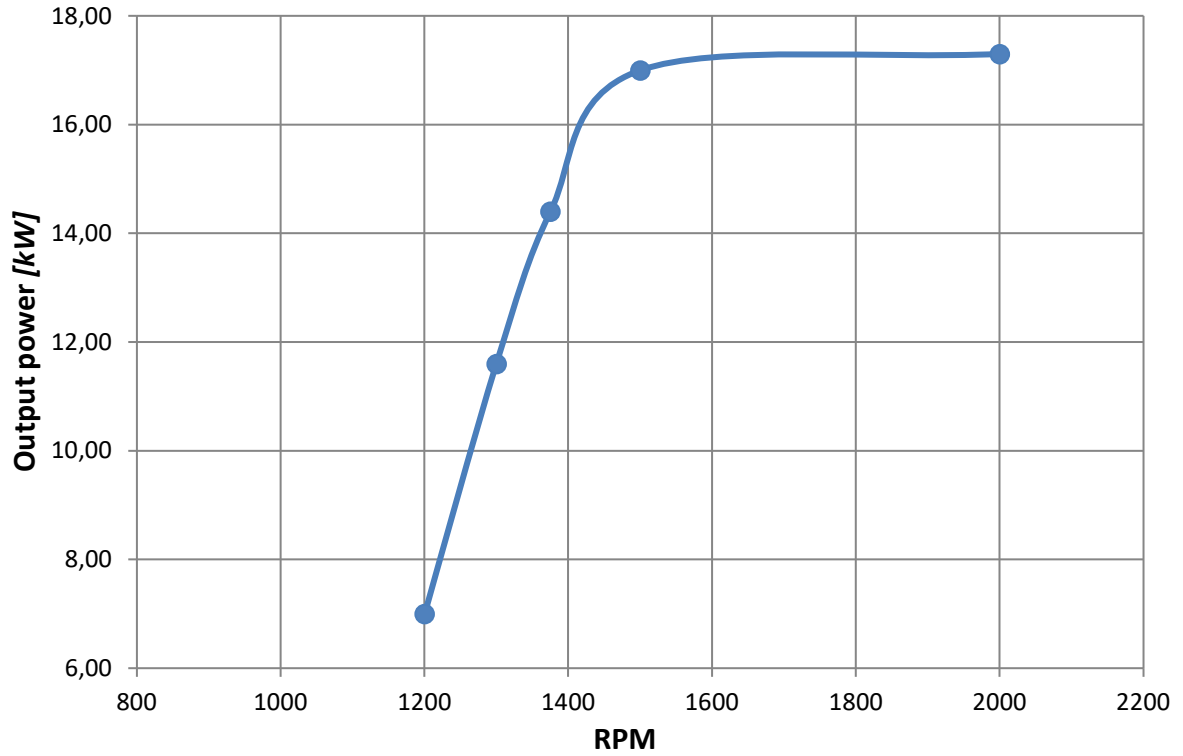
DC Output (Vdc)	23 ÷ 30
Power Outlet @ 1500RPM & 28Vdc	17 kW
DC Output Current @ 1500RPM	Up to 600A
Typical Efficiency	> 83%
RPM	From 1300 to 2100 RPM
Output Ripple	< 1% Without Battery (see picture 1)
Output Accuracy	± 0,5%



Picture 1: AC ripple waveform.

PMB4-24/600

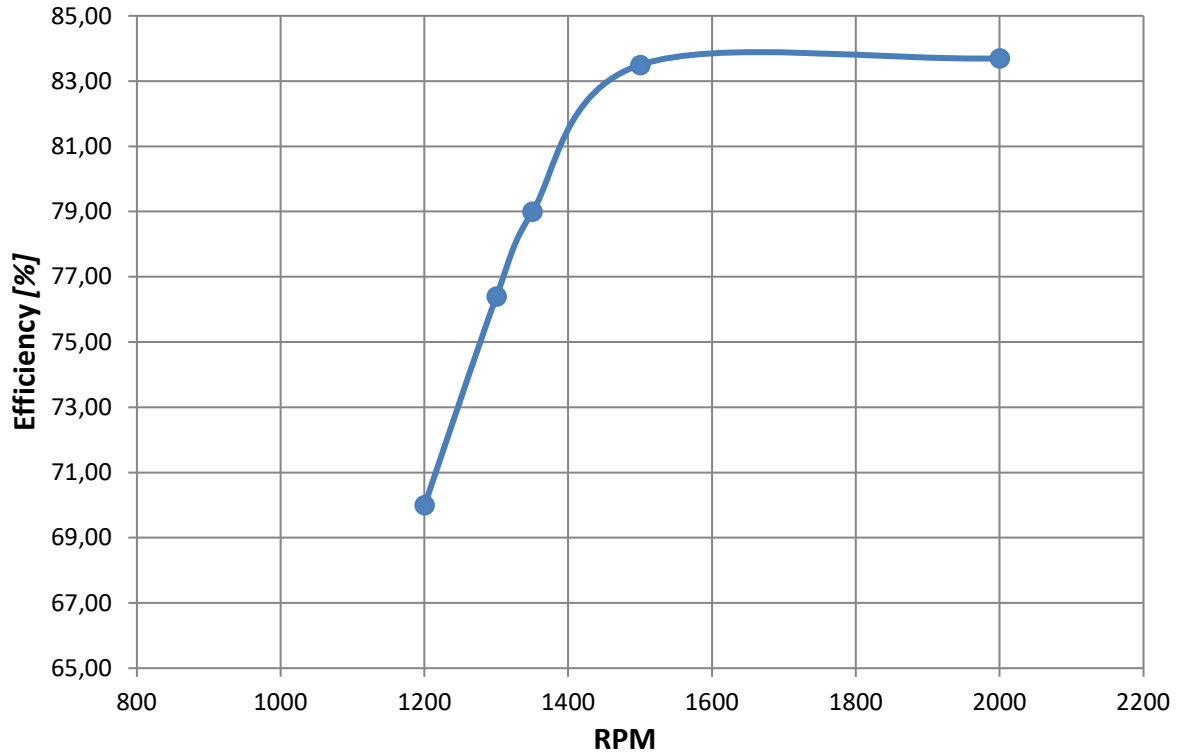
TYPICAL OUTPUT POWER



Picture 2: output power with different RPM.

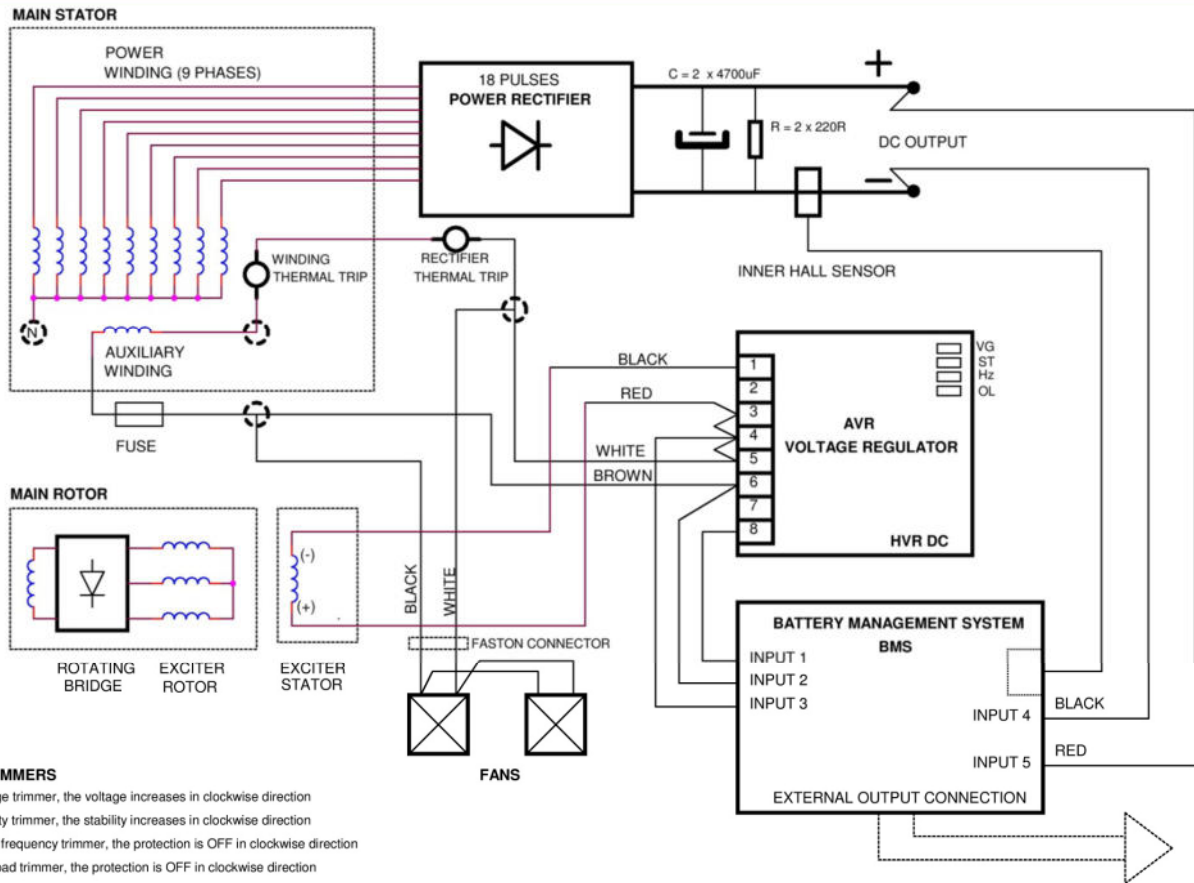
PMB4-24/600

TYPICAL EFFICIENCY



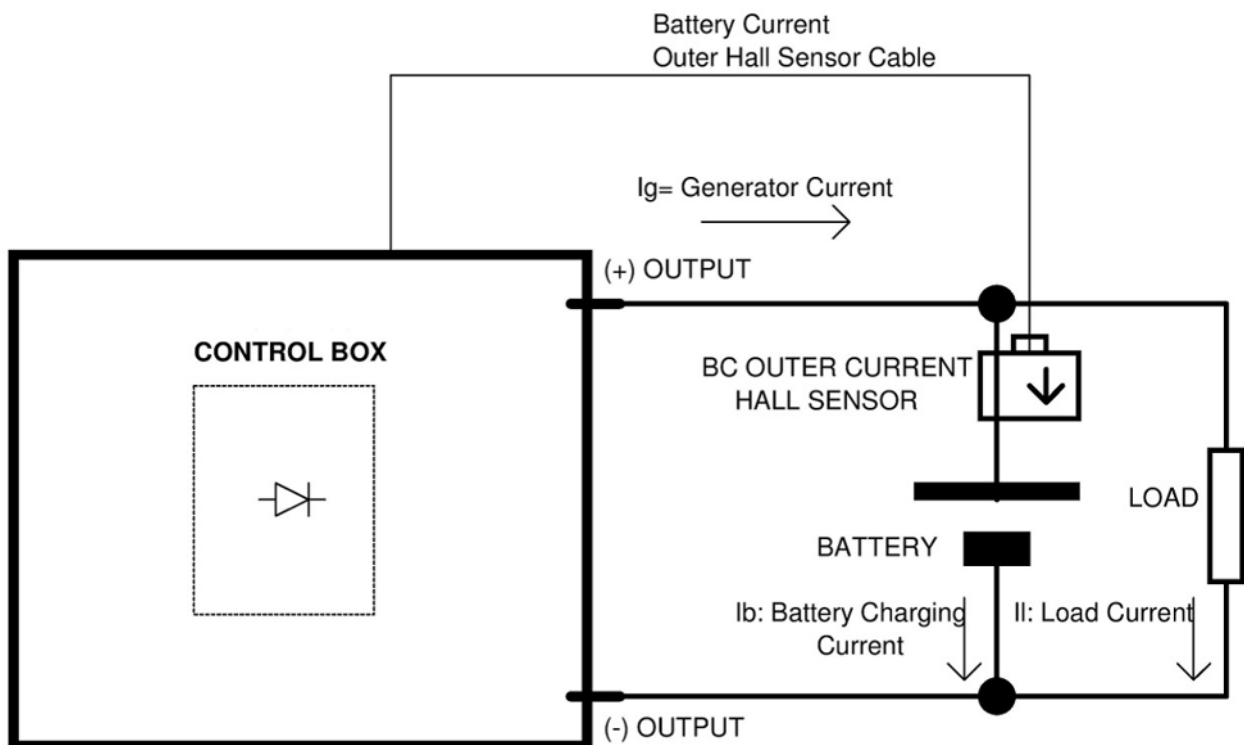
Picture 3: Efficiency with different RPM.

ELECTRIC DIAGRAM



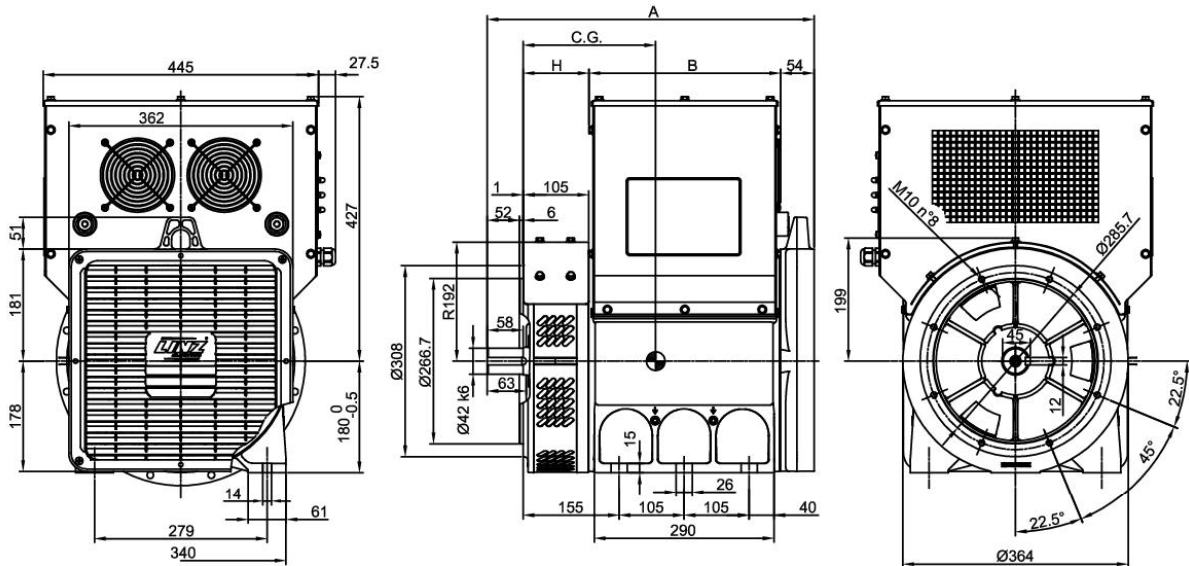
AVR TRIMMERS

VG: Voltage trimmer, the voltage increases in clockwise direction
 ST: Stability trimmer, the stability increases in clockwise direction
 Hz: Under frequency trimmer, the protection is OFF in clockwise direction
 OL: Overload trimmer, the protection is OFF in clockwise direction

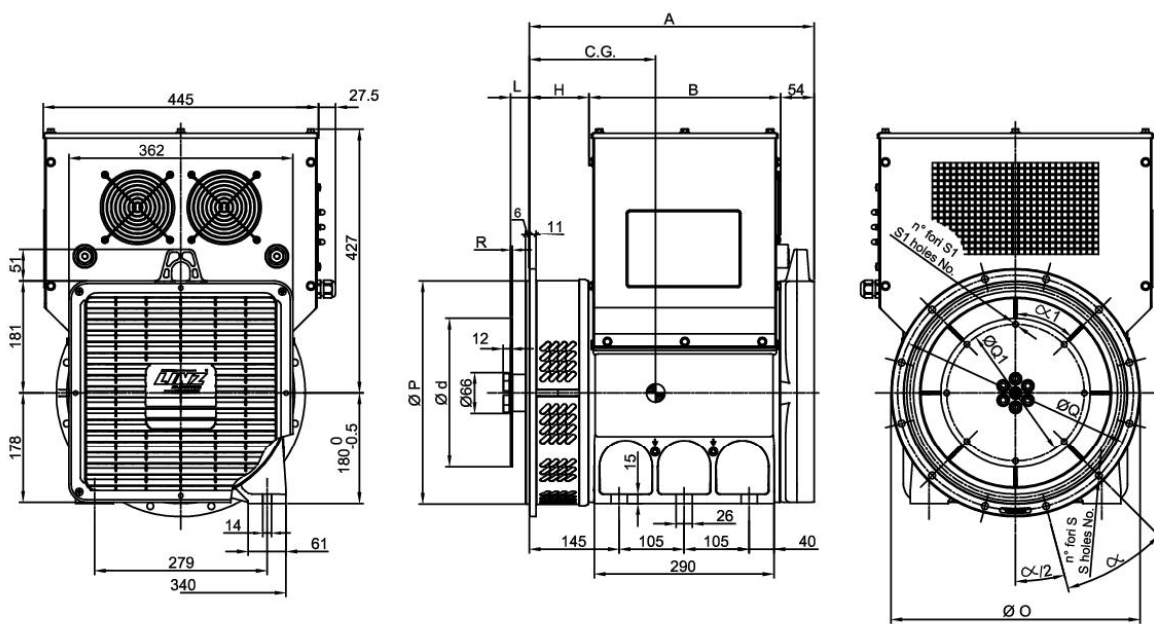


PMB4-24/600

FORMA - FORM B3/B14



FORMA - FORM SAE



FORMA - FORM		A	B	H
B3/B14	PS	528	309	107
	PM	598	383	103
SAE	PS	460	309	97
	PM	530	383	93

TIPO - TYPE	C.G.	TIPO - TYPE	C.G.
PSA4 B3/B14	226	PSA4 SAE	228
PSB4 B3/B14	229	PSB4 SAE	231
PMC4 B3/B14	255	PMC4 SAE	257
PMD4 B3/B14	258	PMD4 SAE	260

SAE N.	FLANGIE - FLANGES - BRIDAS					
	Ø O	Ø P	Ø Q	n. fori holes No.	S	α
5	356	314,3	333,4	8	11	45°
4	402	362	381	8		
3	451	409,6	428,6	12		
2	490	447,7	466,7	12		
						30°

SAE N.	GIUNTI A DISCO - COUPLING DISCS - JUNTAS A DISCOS						
	L	Ø d	Ø Q1	n. fori holes No.	S1	α 1	R
6 1/2	30,2	215,9	200	6	9	60°	3
7 1/2		241,3	222,25	8		45°	
8	62	263,52	244,47	6		60°	
10	53,8	314,32	295,27	8	10,5	45°	4,5
11 1/2	39,6	352,42	333,37	8			