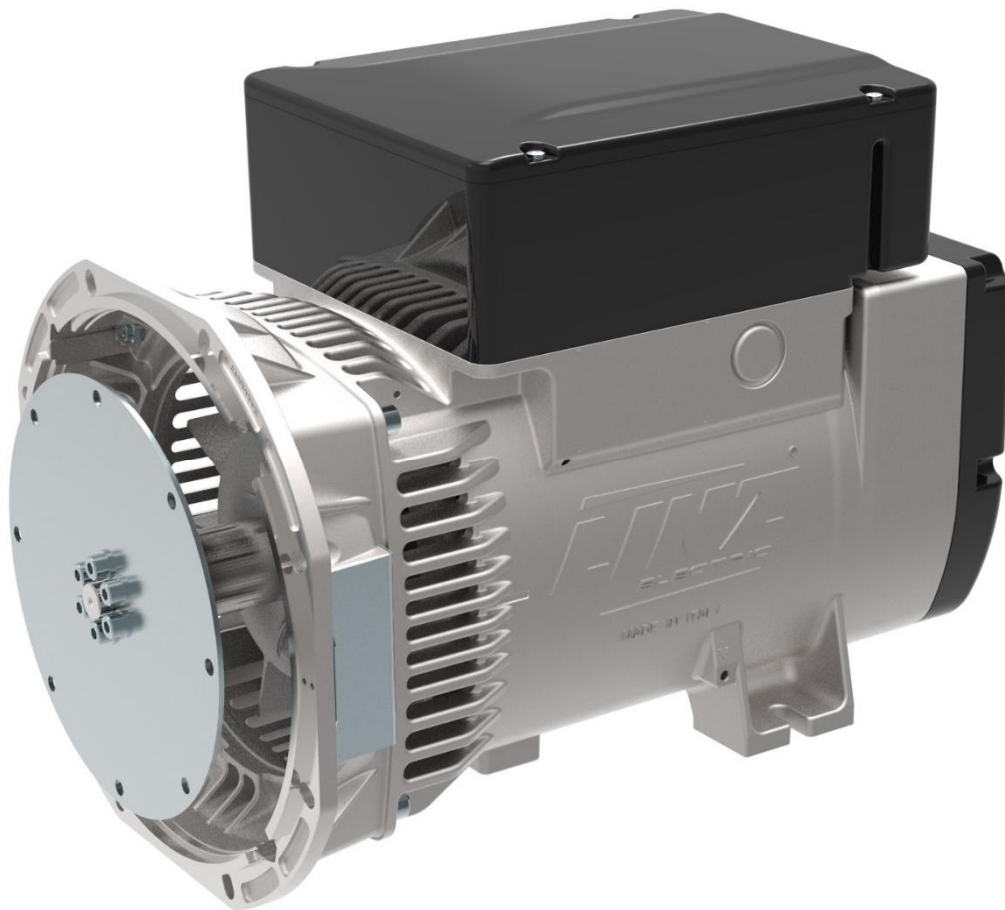


TECHNICAL DATA SHEET



ALTERNATOR E1X13S B/4

Three-Phase brushless synchronous alternator with AVR - 4 poles

E1X13S B/4

COMMON DATA

Rated Power at 50Hz	kVA	8,0	
Rated Power at 60Hz	kVA	10,0	
Rated Power Factor		0,8	
Nominal Temperature	°C	40	
Control System		self-excited	
Execution		brushless	
Regulation Type		AVR	
Insulation Class		H	
Protection		IP21	
Maximum Over speed	rpm	2250	
Overload		110% of rated power for one hour in a cycle of 6 hours	
Air Flow Requirement	m ³ /min	2,8 at 50Hz	3,5 at 60Hz
R.F.I. Suppression		Standard EN55011	

REGULATION DATA

AVR	HVR11	HVR30
Sensing	single-phase	three-phase
Voltage Regulation	±1%	±1%
Sustained Short Circuit	> 300% of rated current	

WINDING DATA

Stator Winding	Double layer with auxiliary winding	
Rotor Winding	with damping cage	
Winding Pitch	2/3	
Number of Leads of Stator	12	
Stator Winding Resistance	Ω	1,77 at 20°C
Rotor Winding Resistance	Ω	6,58 at 20°C
Exciter Stator Resistance	Ω	16,5 at 20°C
Exciter Rotor Resistance	Ω	2,15 at 20°C
THD at full load	<3%	
THD at no load	<3%	
Excitation at no load	A _{dc}	0,51
Excitation at full load	A _{dc}	1,51

STANDARD

References	EN60034-1 ISO8528-3 EN55011
------------	-----------------------------

ON REQUEST

UL 1446, Systems of Insulating Materials - General CSA-C22.2 No. 0, Appendix B, General Requirements - Canadian Electrical Code, Part I
 CAN/CSA - C22.2 No. 100-14 (R2009) Motors and Generators, UL1004-1 2nd ed. Rotating Electrical Machines - General Requirements, UL1004-4 2nd ed. Electric Generators

E1X13S B/4

ELECTRICAL DATA

Frequency		50Hz - 1500rpm					60Hz - 1800rpm				
Voltage	V	Double Delta	Series High Wye Parallel Low Wye			Double Delta	Series High Wye Parallel Low Wye				
		115/230	380/220 190/110	400/230 200/115	415/240 208/120	440/254 220/127	120/240	415/240 208/120	440/254 220/127	460/266 230/133	480/277 240/138
Rated Power in Class H (125°C/40°C)	kVA	5,5	8,0	8,0	8,0	8,0	5,5	9,0	9,5	10,0	10,0
	kW	4,4	6,4	6,4	6,4	6,4	4,4	7,2	7,6	8,0	8,0
Rated Power in Class F (105°C/40°C)	kVA	5,0	7,7	7,7	7,7	7,2	5,0	8,5	9,0	9,3	9,3
	kW	4,0	6,16	6,16	6,16	5,76	5,0	6,8	7,2	7,44	7,44
Rated Power Standby (150°C/40°C)	kVA	6,0	8,8	8,8	8,8	8,5	6,0	9,3	10	10,5	10,5
	kW	4,8	7,04	7,04	7,04	6,8	4,8	7,44	8,0	8,4	8,4
Rated Power Standby (163°C/27°C)	kVA	6,3	9,2	9,2	9,0	8,7	6,3	10,0	10,5	11,0	11,0
	kW	5,04	7,36	7,36	7,2	6,96	5,04	8,0	8,4	8,8	8,8

EFFICIENCY IN CL. H

4/4			82,8%							83,0%
3/4			83,0%							83,3%
2/4			81,0%							82,2%
1/4			76,0%							77,0%

REACTANCES AND TIME CONSTANTS

pcc			0,78							
X _d	- dir. axis synchronous	273%	246%	229%	203%		296%	278%	268%	246%
X' _d	- dir. axis transient	23,3%	21,0%	19,5%	17,4%		25,3%	23,7%	22,9%	21,0%
X'' _d	- dir. axis subtransient	10,0%	9,0%	8,4%	7,4%		10,8%	10,2%	9,8%	9,0%
X _q	- quad. axis reactance	144%	130%	121%	107%		157%	147%	142%	130%
T' _{do}	- O.C. field time constant	320ms								
T' _d	- Transient time constant	27ms								
T'' _d	- Sub-transient time constant	5ms								

MECHANICAL DATA

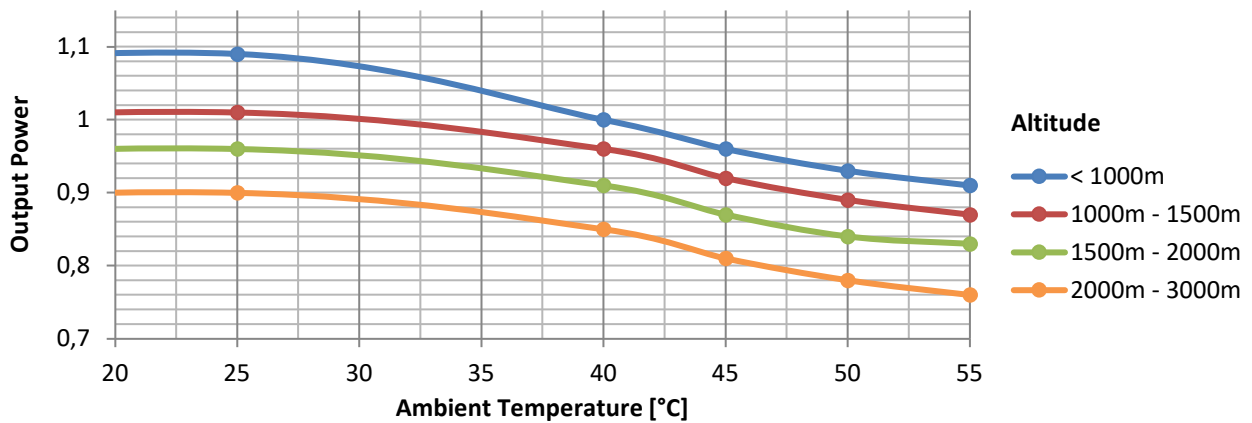
Bearing non drive end			6305-2Z-C3
Bearing drive end (B3/B14 form)			6208-2Z-C3
Weight of generator	in B2	kg	69,9
	in B3/B14	kg	65,8
	in B3/B9	kg	\

E1X13S B/4

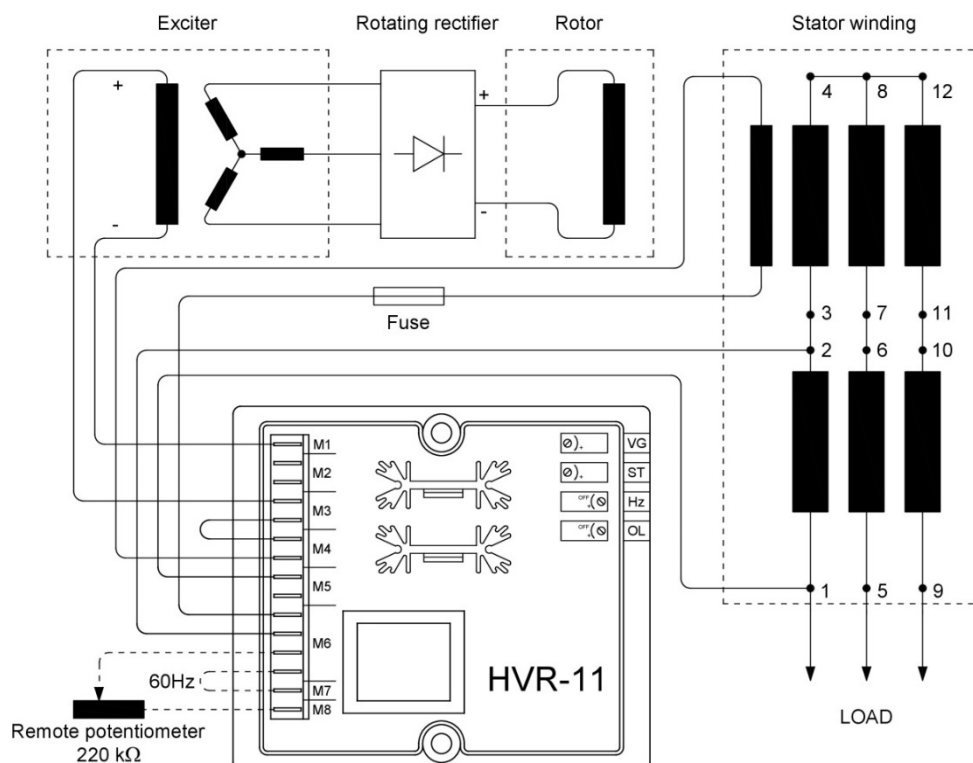
MOMENT OF INERZIA

B3/B9	kg·m ²	\
SAE 7½	kg·m ²	0,066
B2	kg·m ²	0,066

DERATING CURVES



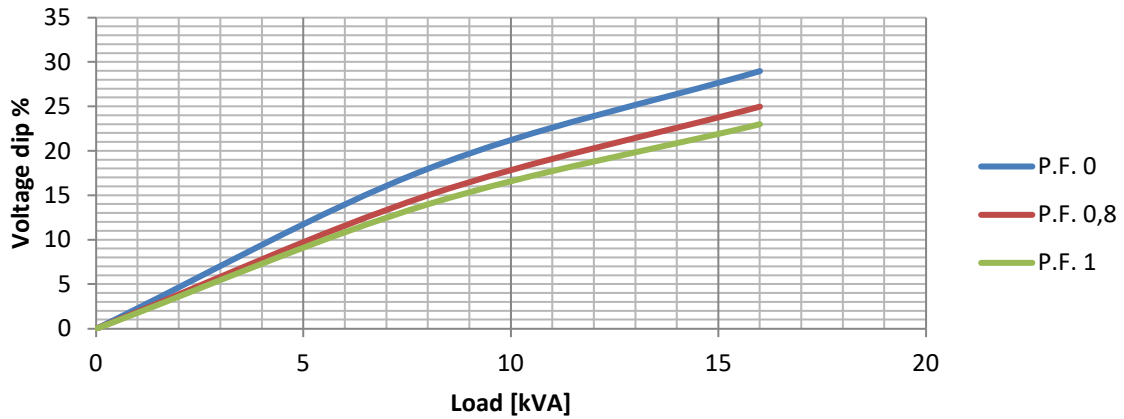
WIRING DIAGRAM



E1X13S B/4

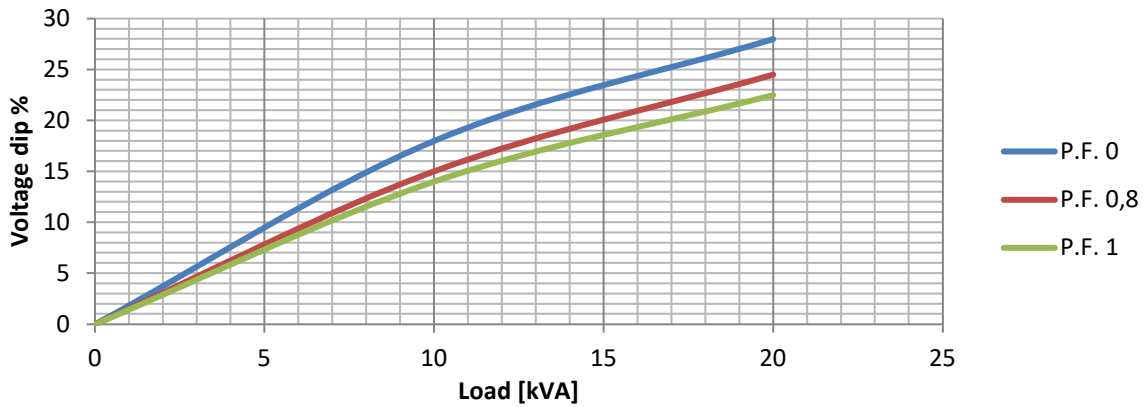
TRANSIENT VOLTAGE VARIATION 50Hz

Transient Voltage Variation @ 50Hz



TRANSIENT VOLTAGE VARIATION 60Hz

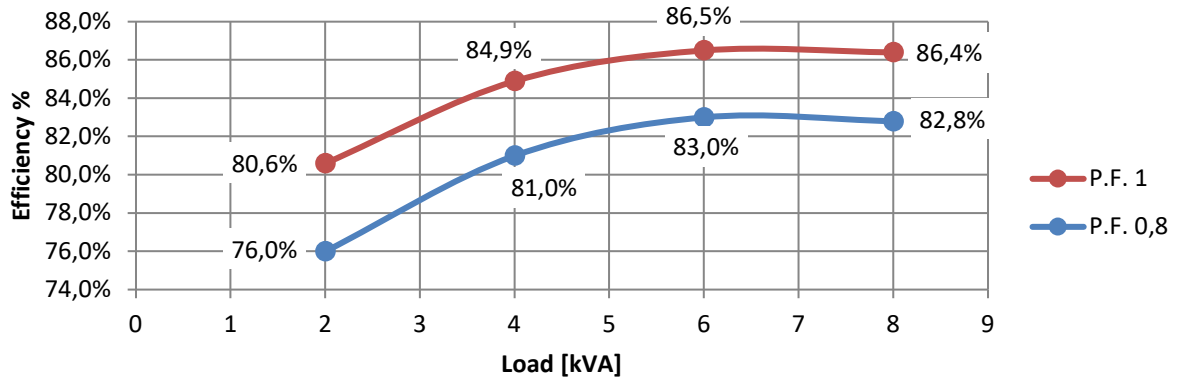
Transient Voltage Variation @ 60Hz



E1X13S B/4

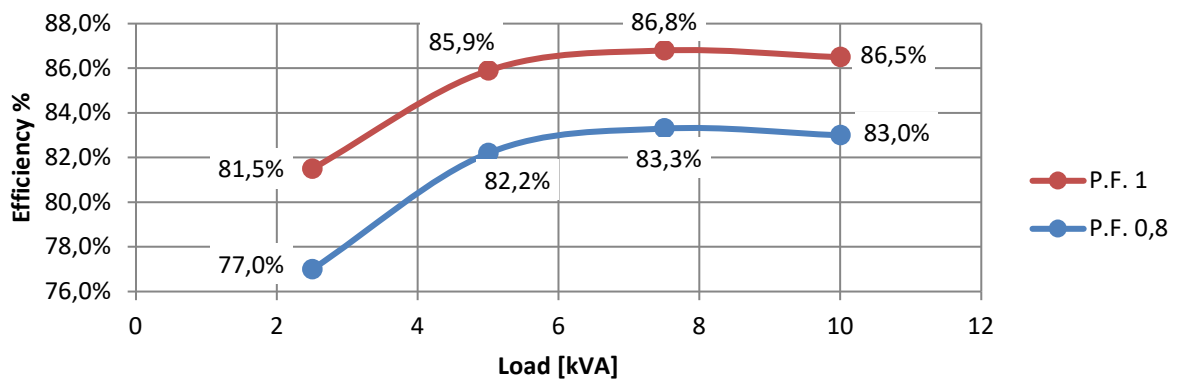
EFFICIENCY 50Hz

Efficiency Curves @ 50Hz



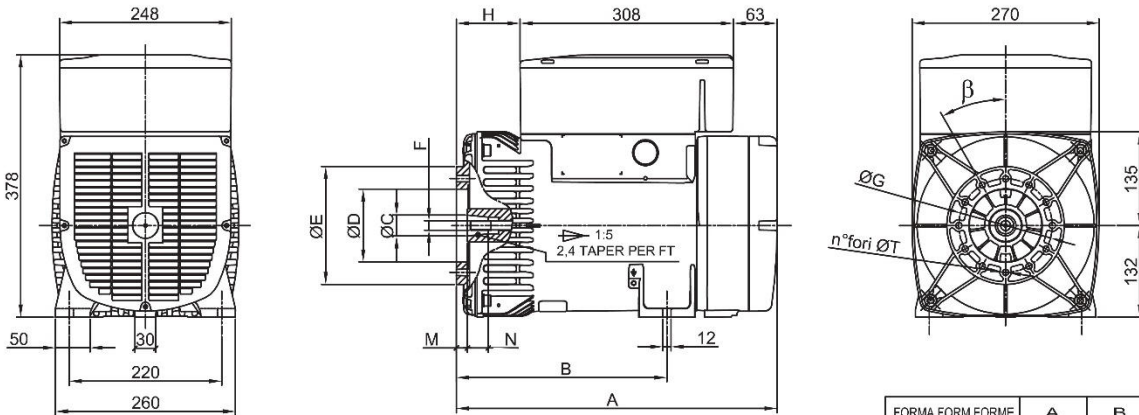
EFFICIENCY 60Hz

Efficiency Curves @ 60Hz



E1X13S B/4

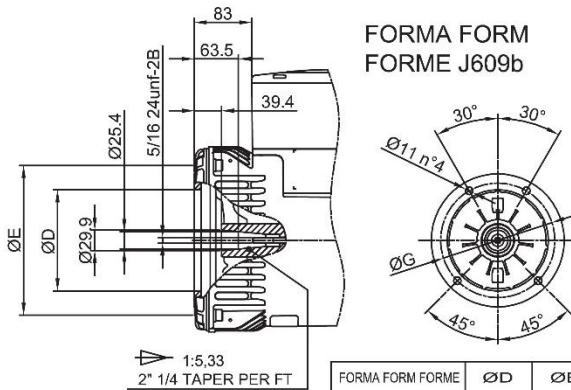
FORMA FORM FORME B3/B9



FORMA FORM FORME	ØC	ØD	ØE	F	ØG	H	M	N	n°fori	ØT	β
cono Ø30	Ø30	Ø105	Ø170	M14x1.5	Ø135	92	16	30	12	Ø9	30°
cono Ø38	Ø38	Ø125	Ø185	M18x1.5	Ø150	83	5	30	4	Ø11	β/2 45°

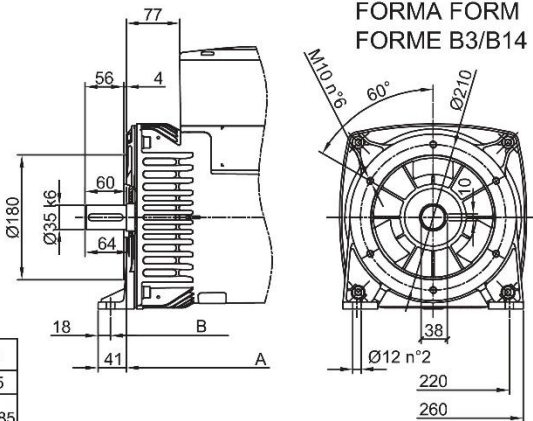
FORMA FORM FORME	A	B
B3B9 cono Ø30	463	304
B3B9 c.Ø38-J609b	454	295
B3/B14	448	312
MD35 - LOMB. STD	496	337

FORMA FORM FORME J609b

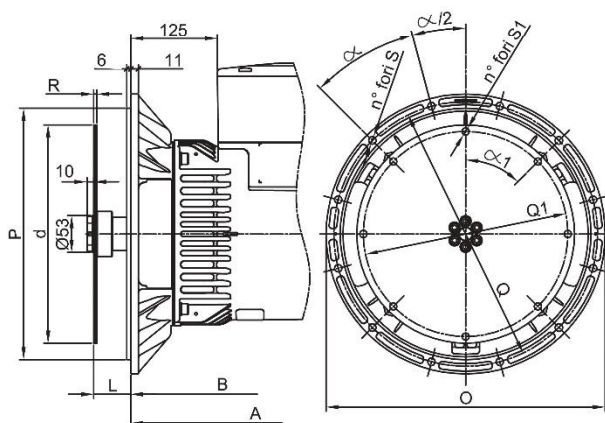


FORMA FORM FORME	ØD	ØE	ØG
J609b	Ø146	Ø192	Ø165
	Ø163.6	Ø216	Ø196.85
	Ø177.8		

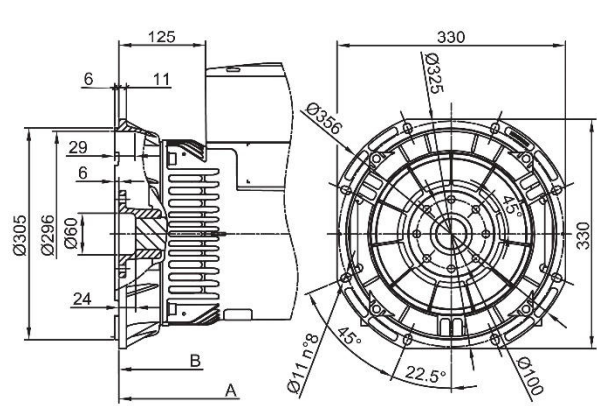
FORMA FORM FORME B3/B14



FORMA FORM FORME MD35



FORMA FORM FORME LOMBARDINI STD



SAE N.	FLANGIE - BRIDE - FLANGE					α
	O	P	Q	n. fori	S	
5	356	314.3	333.4	8	11	45°
4	403	362	381	12		30
3	451	409.6	428.6	12		30

SAE N.	GIUNTI A DISCO - DISC COUPLING - ACC. DISQUE						
	L	d	Q1	n. fori	S1	α1	R
6 1/2	30.2	215.9	200	6	9	60°	3
7 1/2	30.2	241.3	222.25	8	9	45°	
8	62	263.52	244.47	6	10.5	60	4.5
10	53.8	314.32	295.27	8	10.5	45°	
11 1/2	39.6	352.42	333.37	8	10.5	45°	