

TECHNICAL DATA SHEET



**ALTERNATOR E1W13S/2 300DC**  
*DC brushless welder*

## E1W13S/2 300DC

### COMMON DATA

Rated Power at 50Hz	kVA	8,5	
Rated Power at 60Hz	kVA	10,2	
Rated Power Factor		0,8	
Nominal Temperature	°C	40	
Control System		self-excited	
Execution		Brushless	
Insulation Class		H	
Protection		IP21	
Maximum Over speed	rpm	4500	
Overload		110% of rated power for one hour in a cycle of 6 hours	
Air Flow Requirement	m <sup>3</sup> /min	8,2 at 50Hz	9,8 at 60Hz
R.F.I. Suppression		Standard EN55011	

### REGULATION DATA

Regulation		SG132
Sensing		Single-Phase
Voltage Regulation		±1%

### WINDING DATA

Rotor Winding		with damping cage
Number of Leads of Stator		6
Stator Winding Resistance	Ω	1,05 at 20°C
Rotor Winding Resistance	Ω	9,79 at 20°C
Exciter Stator Resistance	Ω	16,5 at 20°C
Exciter Rotor Resistance	Ω	2,15 at 20°C

### STANDARD

References		EN60034-1 ISO8528-3 EN55011
------------	--	-----------------------------

## E1W13S/2 300DC

### ELECTRICAL DATA

No load voltage	V <sub>AC</sub>	80
Welding voltage	V <sub>AC</sub>	20-32
Regulation range	A <sub>AC</sub>	35-300
Max. current at 35%	A <sub>AC</sub>	300
Max. current at 60%	A <sub>AC</sub>	240
Max. current at 100%	A <sub>AC</sub>	185
Stator Winding Resistance	Ω	0,023 at 20°C
Electrodes type		basic; cellulosic; inox, rutile
Electrodes diameter	mm	1 - 5(6)

### MECHANICAL DATA

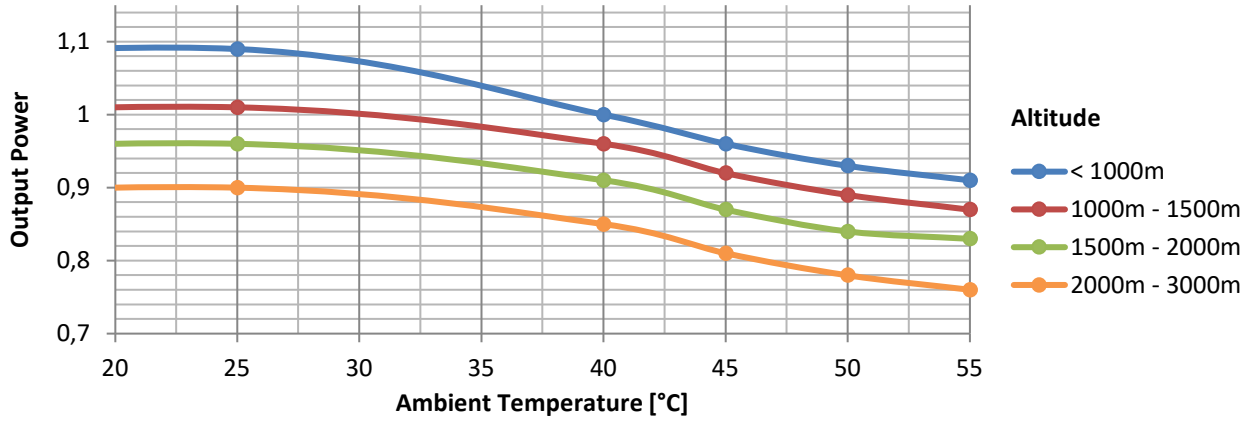
Bearing non drive end		6305-2Z-C3	
Bearing drive end (B3/B14 form)		6208-2Z-C3	
Weight of generator	in B2	kg	85
	in B3/B14	kg	80,9
	in B3/B9	kg	\

### MOMENT OF INERZIA

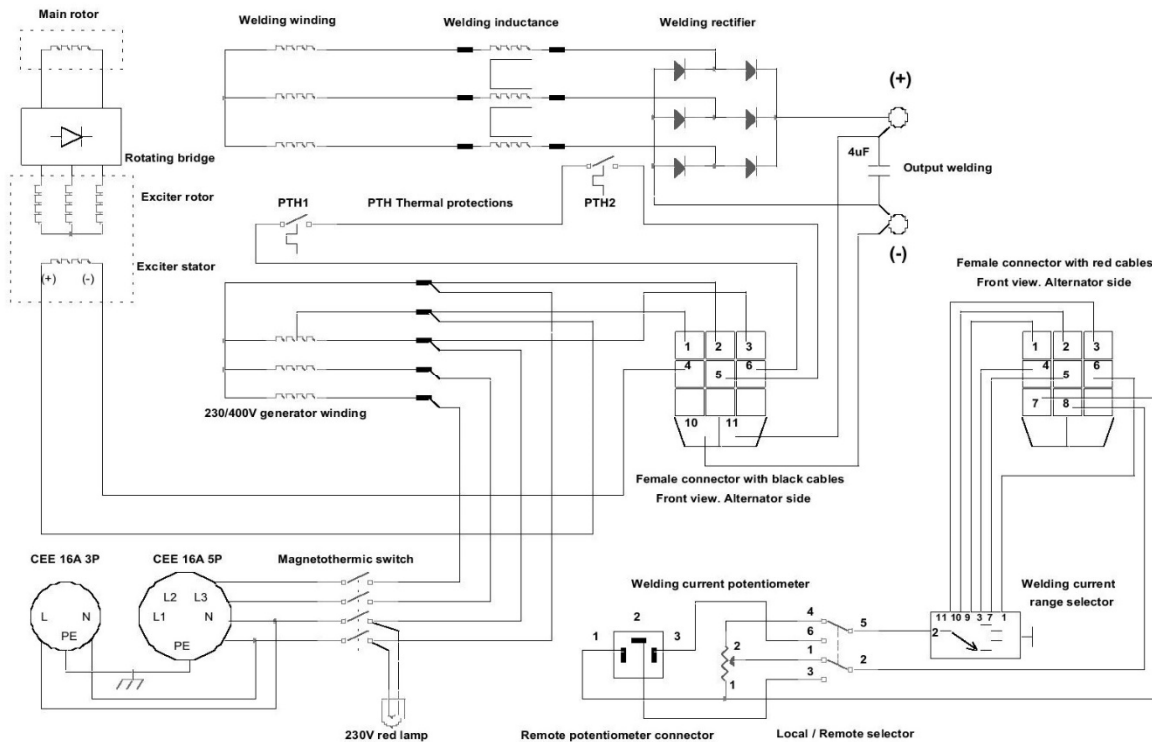
B3/B9	kg·m <sup>2</sup>	\
SAE 7½	kg·m <sup>2</sup>	0,067
SAE 8	kg·m <sup>2</sup>	0,067
SAE 10	kg·m <sup>2</sup>	0,067
SAE 11½	kg·m <sup>2</sup>	0,067
SAE 14	kg·m <sup>2</sup>	\
SAE 18	kg·m <sup>2</sup>	\
B3/B14	kg·m <sup>2</sup>	0,081

# E1W13S/2 300DC

## DERATING CURVES



## WIRING DIAGRAM



# E1W13S/2 300DC

