

TECHNICAL DATA SHEET



ALTERNATOR E1W13M/4 300DC

DC brushless welder

E1W13M/4 300DC

COMMON DATA

Rated Power at 50Hz	kVA	8	
Rated Power at 60Hz	kVA	9,6	
Rated Power Factor		0,8	
Nominal Temperature	°C	40	
Control System		self-excited	
Execution		brushless	
Insulation Class		H	
Protection		IP21	
Maximum Over speed	rpm	2250	
Overload		110% of rated power for one hour in a cycle of 6 hours	
Air Flow Requirement	m ³ /min	4,1 at 50Hz	4,9 at 60Hz
R.F.I. Suppression		Standard EN55011	

REGULATION DATA

Regulation		SG132
Sensing		Single-Phase
Voltage Regulation		±1%

WINDING DATA

Rotor Winding		with damping cage
Number of Leads of Stator		6
Stator Winding Resistance	Ω	1,53 at 20°C
Rotor Winding Resistance	Ω	9,86 at 20°C
Exciter Stator Resistance	Ω	16,5 at 20°C
Exciter Rotor Resistance	Ω	2,15 at 20°C

STANDARD

References		EN60034-1 ISO8528-3 EN55011
------------	--	-----------------------------

E1W13M/4 300DC

ELECTRICAL DATA

No load voltage	V_{AC}	80
Welding voltage	V_{AC}	20-32
Regulation range	A_{AC}	35-300
Max. current at 35%	A_{AC}	300
Max. current at 60%	A_{AC}	230
Max. current at 100%	A_{AC}	180
Stator Winding Resistance	Ω	0,026 at 20°C
Electrodes type		basic; cellulosic; inox, rutile
Electrodes diameter	mm	1 - 5(6)

MECHANICAL DATA

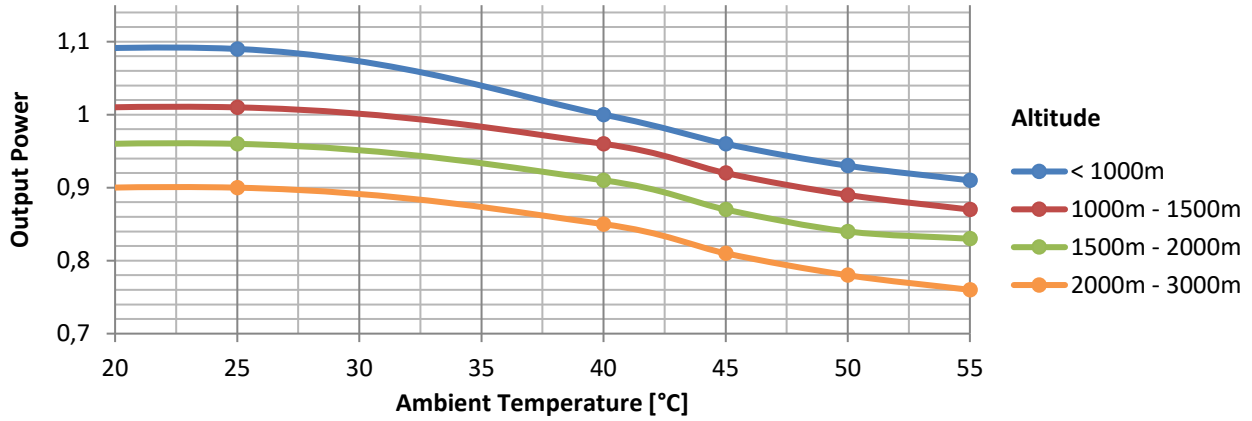
Bearing non drive end		6305-2Z-C3	
Bearing drive end (B3/B14 form)		6208-2Z-C3	
Weight of generator	in B2	kg	112
	in B3/B14	kg	108
	in B3/B9	kg	\

MOMENT OF INERZIA

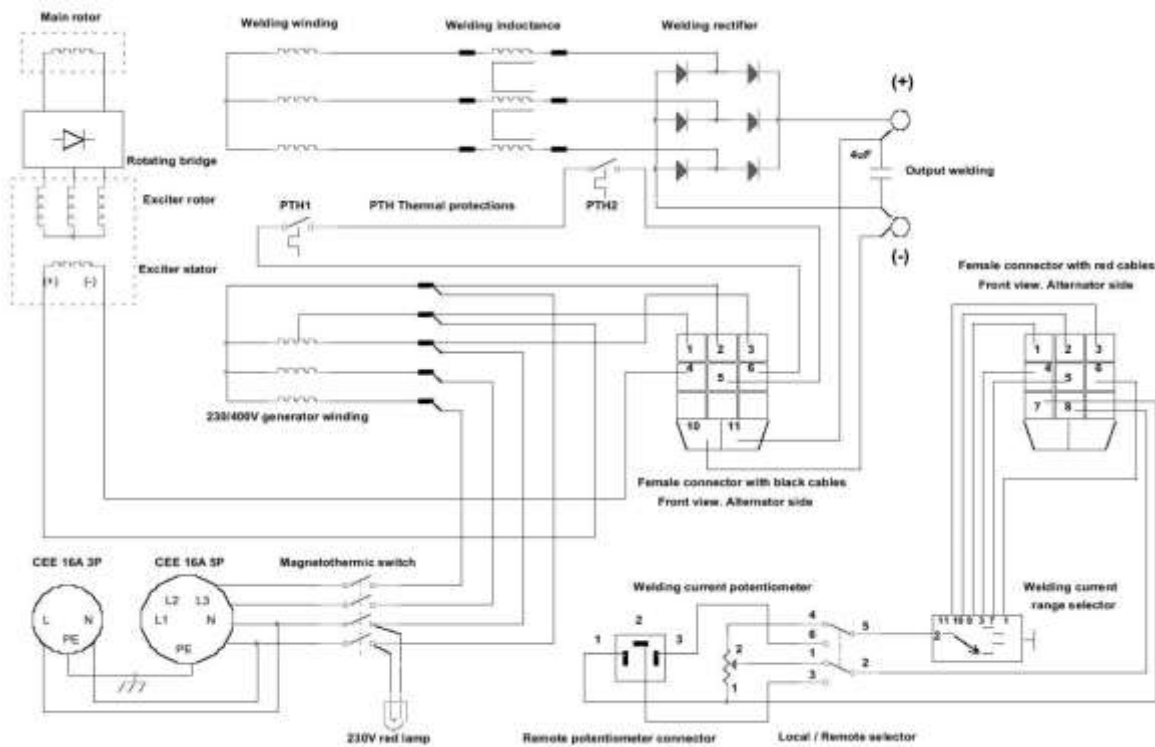
B3/B9	$kg \cdot m^2$	\
SAE 7½	$kg \cdot m^2$	0,094
SAE 8	$kg \cdot m^2$	0,094
SAE 10	$kg \cdot m^2$	0,094
SAE 11½	$kg \cdot m^2$	0,094
SAE 14	$kg \cdot m^2$	\
SAE 18	$kg \cdot m^2$	\
B3/B14	$kg \cdot m^2$	0,091

E1W13M/4 300DC

DERATING CURVES

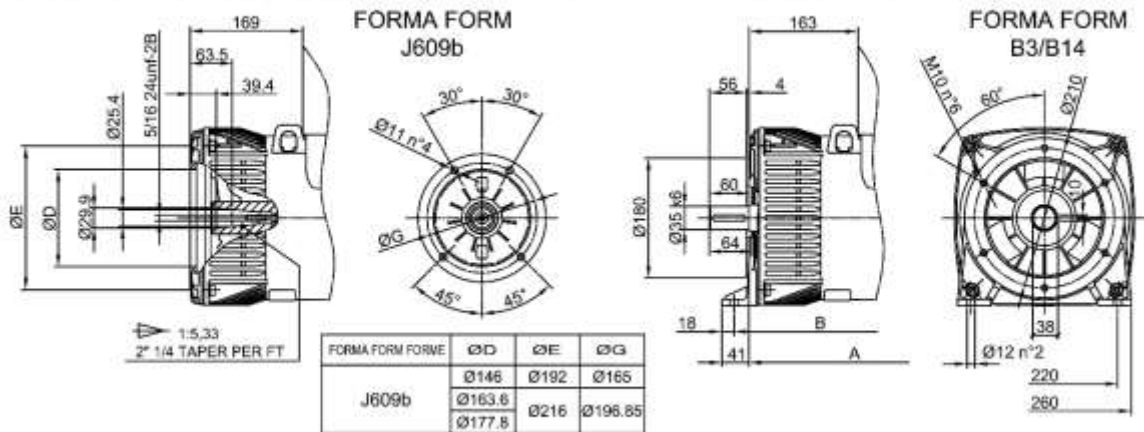
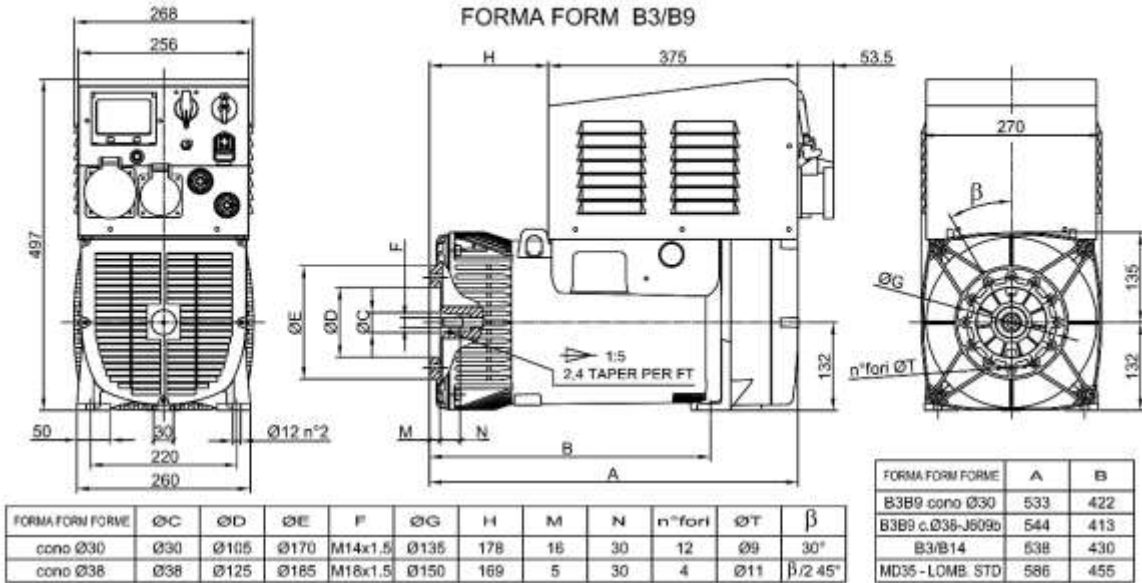


WIRING DIAGRAM

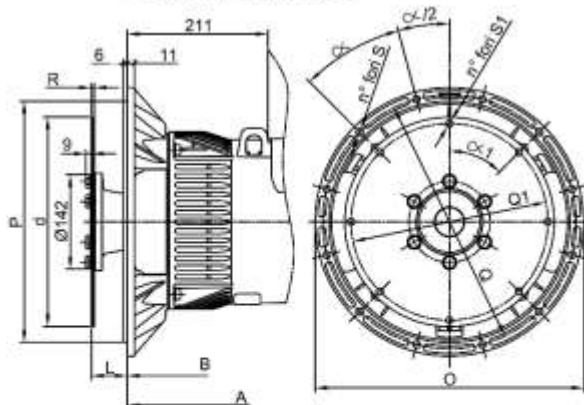


E1W13M/4 300DC

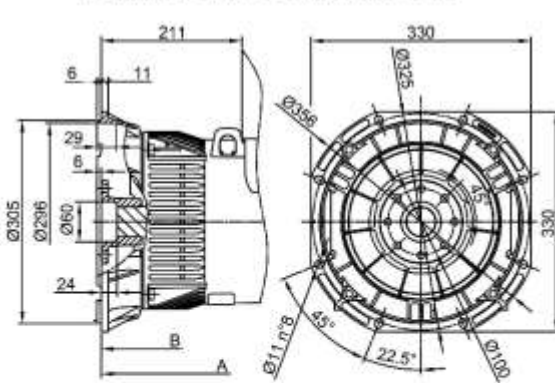
DIMENSIONI D'INGOMBRO E1W13M DC - E1W13M DC OVERALL DIMENSIONS FORMA FORM B3/B9



FORMA FORM MD35



FORMA FORM LOMBARDINI STD



SAE N.	FLANGE - FLANGES						GIUNTI A DISCO - COUPLING DISCS							
	O	P	Q	n. fori	S	ØC	N.	L	d	Q1	n. fori	S1	ØC1	R
5	356	314.3	333.4	8		45°	6 1/2	30.2	215.9	200	6	9	60°	3
4	403	362	381	12	11	30	7 1/2	30.2	241.3	222.25	6	9	45°	
3	451	409.6	428.6	12		30	8	62	263.52	244.47	6	10.5	60°	4.5
							10	53.6	314.32	295.27	6	10.5	45°	
							11 1/2	39.6	352.42	333.37	6	10.5	45°	