

TECHNICAL DATA SHEET



ALTERNATOR SPW10 120AC

AC brushless welder

SPW10 120AC

COMMON DATA

Rated Power at 50Hz	kVA	3,5	
Rated Power at 60Hz	kVA	4,2	
Rated Power Factor		1	
Nominal Temperature	°C	40	
Control System		self-excited	
Execution		brushless	
Regulation Type		capacitor	
Insulation Class		H	
Protection		IP21	
Maximum Over speed	rpm	4500	
Overload		110% of rated power for one hour in a cycle of 6 hours	
Air Flow Requirement	m ³ /min	3,7 at 50Hz	4,6 at 60Hz
R.F.I. Suppression		Standard EN55011	

REGULATION DATA

Regulation		Capacitor
Capacitor	μF	30
Voltage Regulation		±5%

WINDING DATA

Rotor Winding		with damping cage
Number of Leads of Stator		2
Stator Winding Resistance	Ω	0,7 at 20°C
Rotor Winding Resistance	Ω	4,2 at 20°C

STANDARD

References	EN60034-1 ISO8528-3 EN55011
------------	-----------------------------

SPW10 120AC

ELECTRICAL DATA

No load voltage	V_{AC}	52
Welding voltage	V_{AC}	20-26
Regulation range	A_{AC}	60-120
Max. current at 35%	A_{AC}	120
Max. current at 60%	A_{AC}	90
Max. current at 100%	A_{AC}	70
Stator Winding Resistance	Ω	0,073 at 20°C
Electrodes type		acid; inox, rutile
Electrodes diameter	mm	1-3,25

MECHANICAL DATA

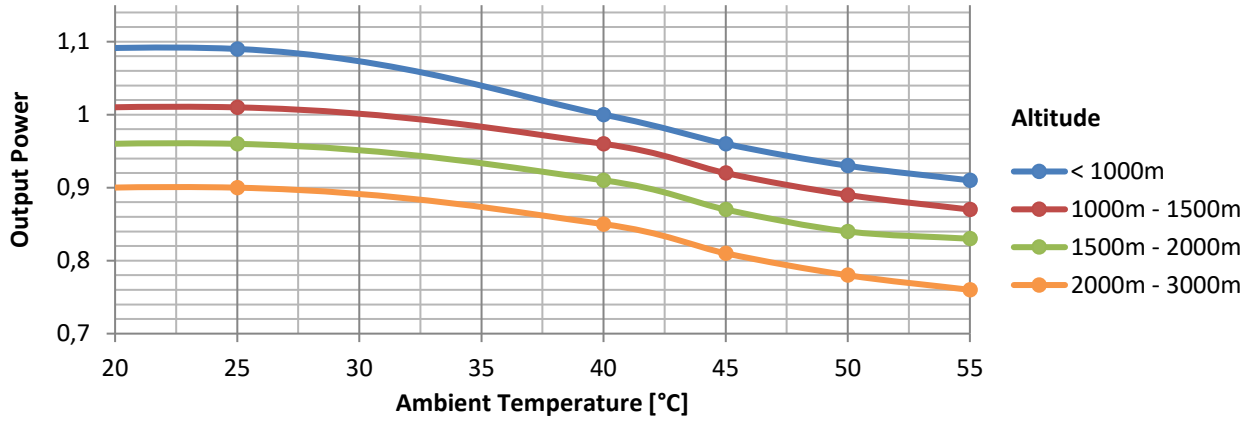
Bearing non drive end			6204-2Z-C3
Bearing drive end (B3/B14 form)			\
Weight of generator	in B2	kg	\
	in B3/B14	kg	\
	in B3/B9	kg	27,3

MOMENT OF INERZIA

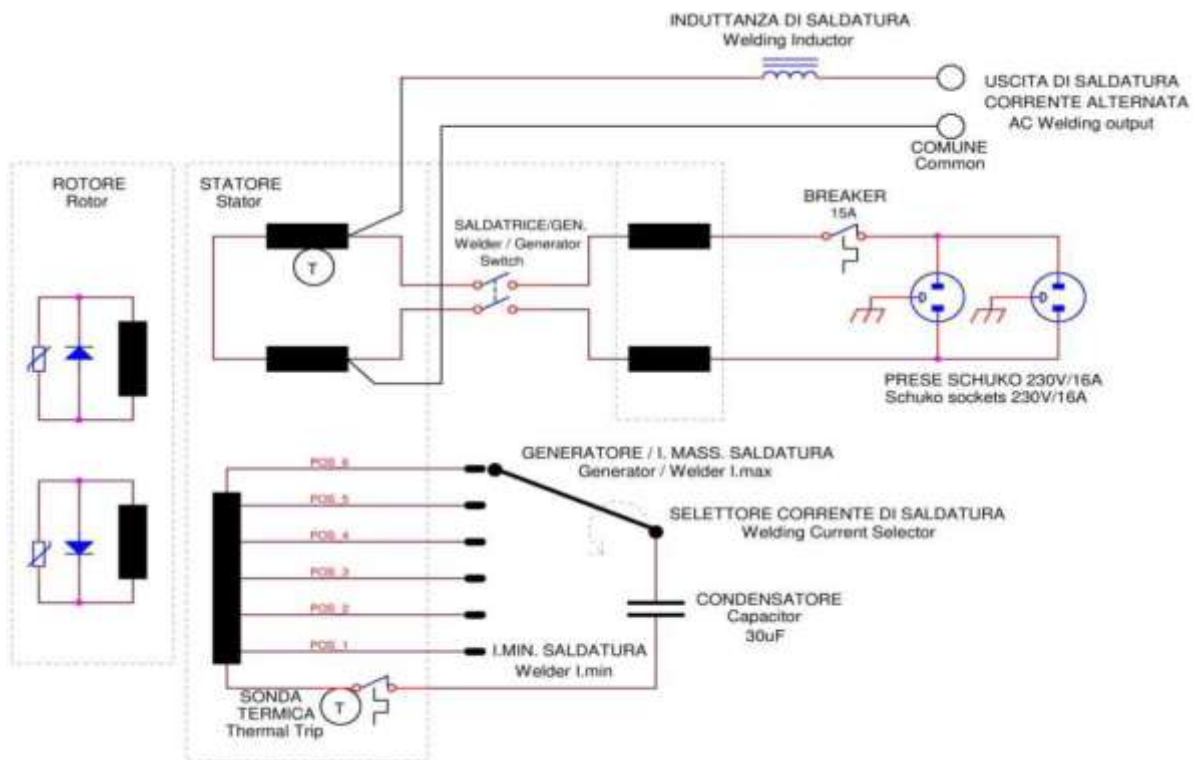
B3/B9	$kg \cdot m^2$	0,014
-------	----------------	-------

SPW10 120AC

DERATING CURVES



WIRING DIAGRAM



SPW10 120AC

