

TECHNICAL DATA SHEET



ALTERNATOR E2W10 220MDC

DC welder with brushes

E2W10 220MDC

COMMON DATA

Rated Power at 50Hz	kVA	5,0	
Rated Power at 60Hz	kVA	6,0	
Rated Power Factor		1	
Nominal Temperature	°C	40	
Control System		self-excited	
Execution		with brushes	
Insulation Class		H	
Protection		IP21	
Maximum Over speed	rpm	4500	
Overload		110% of rated power for one hour in a cycle of 6 hours	
Air Flow Requirement	m ³ /min	3,6 at 50Hz	4,5 at 60Hz
R.F.I. Suppression		Standard EN55011	

REGULATION DATA

Regulation		Auxiliary winding
Voltage Regulation		±5%

WINDING DATA

Rotor Winding		with damping cage
Number of Leads of Stator		4
Stator Winding Resistance	Ω	0,493 at 20°C
Rotor Winding Resistance	Ω	23,5 at 20°C

STANDARD

References		EN60034-1 ISO8528-3 EN55011
------------	--	-----------------------------

E2W10 220MDC

ELECTRICAL DATA

No load voltage	V _{AC}	80
Welding voltage	V _{AC}	20-29
Regulation range	A _{AC}	40-220
Max. current at 35%	A _{AC}	220
Max. current at 60%	A _{AC}	170
Max. current at 100%	A _{AC}	130
Stator Winding Resistance	Ω	0,032 at 20°C
Electrodes type		basic; cellulosic; inox, rutile
Electrodes diameter	mm	1,0-4,0

MECHANICAL DATA

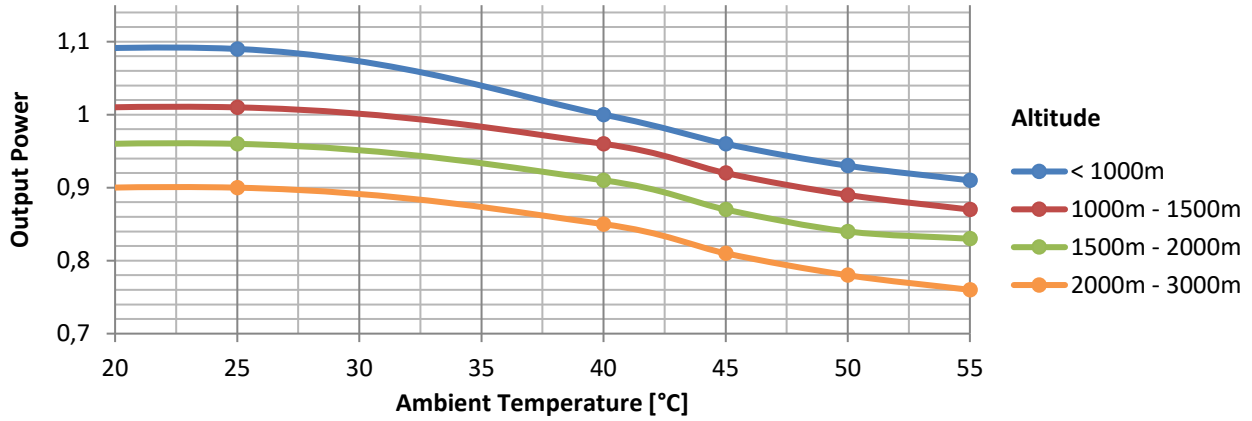
Bearing non drive end		6204-2Z-C3	
Bearing drive end (B3/B14 form)		6305-2Z-C3	
Weight of generator	in B2	kg	\
	in B3/B14	kg	44,2
	in B3/B9	kg	43,5

MOMENT OF INERZIA

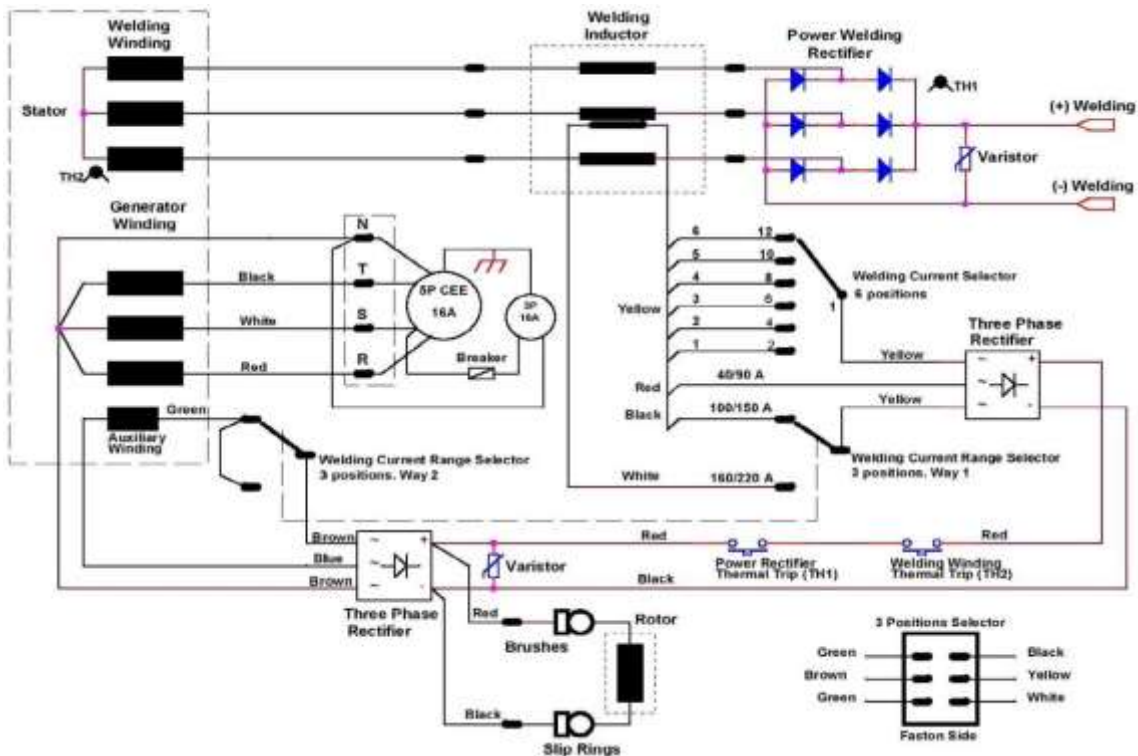
B3/B9	kg·m ²	0,022
B3/B14	kg·m ²	0,022

E2W10 220MDC

DERATING CURVES

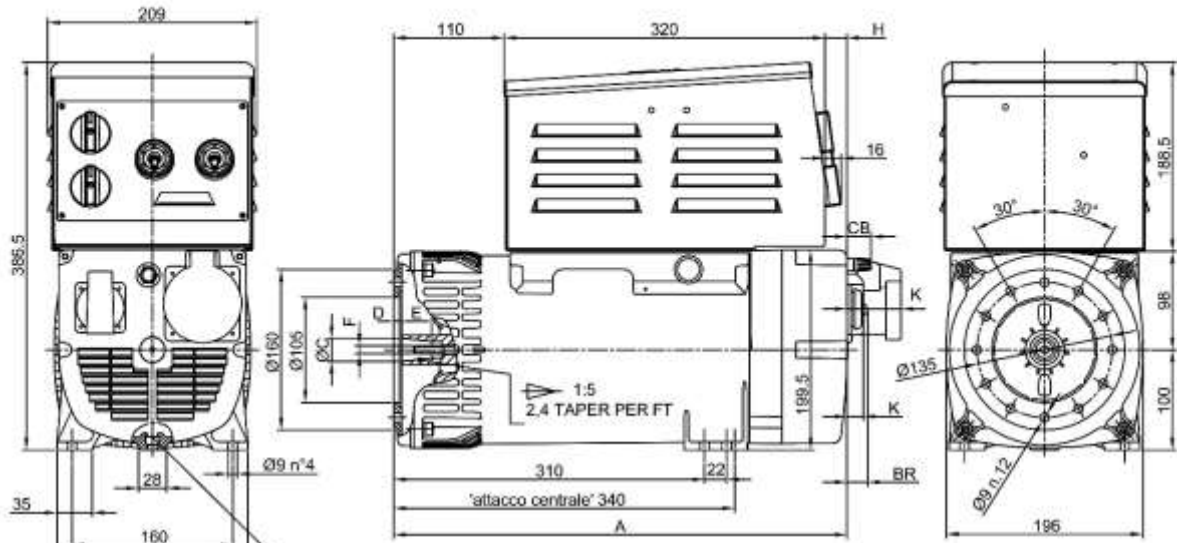


WIRING DIAGRAM



E2W10 220MDC

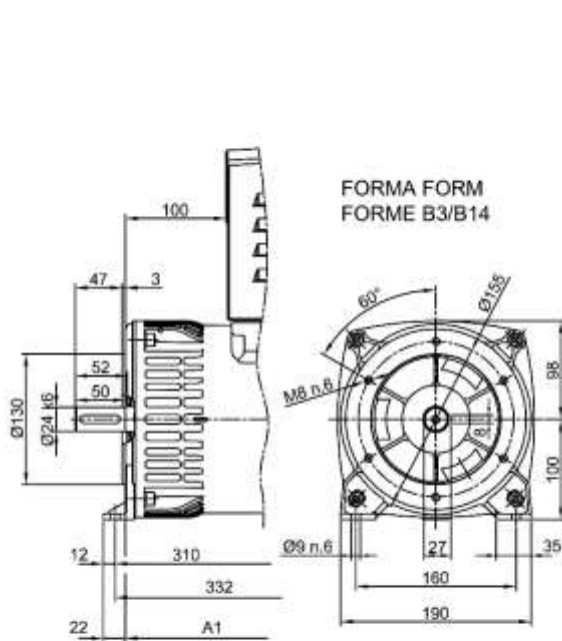
FORMA FORM FORME B3/B9



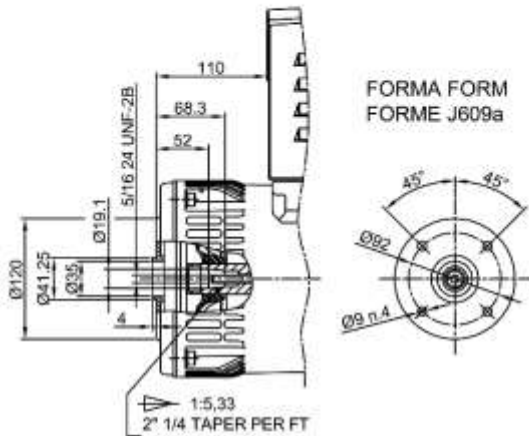
DADO-NUT-ECROU-MUTTER
TUERCA-M8 UNI 5587
5/16x24 ANSI B18.2.2

TPO TYPE TYP	A	A1	H
E2W10 180DC	431	421	1
E2W10 220DC - 220DCK	453	443	23

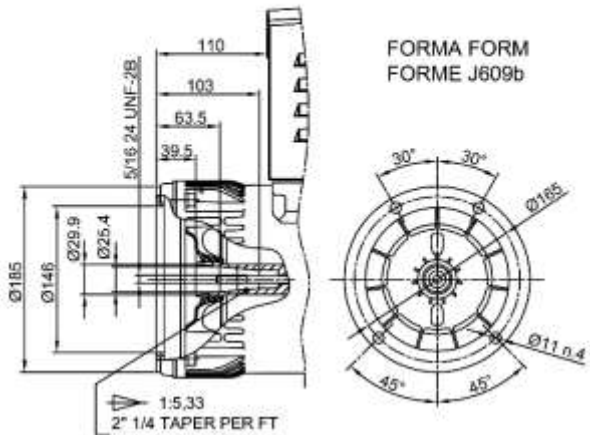
FORMA FORM FORME FORME FORM FORMA	ØC	D	E	F
cono Ø23	Ø23	8	25	M8
cono Ø30	Ø30	16	30	M14x1.5



FORMA FORM
FORME B3/B14



FORMA FORM
FORME J609a



FORMA FORM
FORME J609b

PRESE - SOCKETS	K
SCHUKO	16
CEE	52
BREAKER	BR
	20.5
CARICA BATTERIE BATTERY CHARGER	CB
	24