

TECHNICAL DATA SHEET



ALTERNATOR E1W11 220AC
AC brushless welder

E1W11 220AC

COMMON DATA

Rated Power at 50Hz	kVA	10,0	
Rated Power at 60Hz	kVA	12,0	
Rated Power Factor		1	
Nominal Temperature	°C	40	
Control System		self-excited	
Execution		brushless	
Regulation Type		capacitor	
Insulation Class		H	
Protection		IP21	
Maximum Over speed	rpm	4500	
Overload		110% of rated power for one hour in a cycle of 6 hours	
Air Flow Requirement	m ³ /min	4,8 at 50Hz	5,8 at 60Hz
R.F.I. Suppression		Standard EN55011	

REGULATION DATA

Regulation		Capacitor
Capacitor	μF	40+40
Voltage Regulation		±5%

WINDING DATA

Rotor Winding		with damping cage
Number of Leads of Stator		2
Stator Winding Resistance	Ω	0,102 at 20°C
Rotor Winding Resistance	Ω	6,41 at 20°C

STANDARD

References	EN60034-1 ISO8528-3 EN55011
------------	-----------------------------

E1W11 220AC

ELECTRICAL DATA

No load voltage	V _{AC}	52
Welding voltage	V _{AC}	20-30
Regulation range	A _{AC}	40-220
Max. current at 35%	A _{AC}	220
Max. current at 60%	A _{AC}	170
Max. current at 100%	A _{AC}	130
Stator Winding Resistance	Ω	0,0249 at 20°C
Electrodes type		acid; inox, rutile
Electrodes diameter	mm	1,5-5,0

MECHANICAL DATA

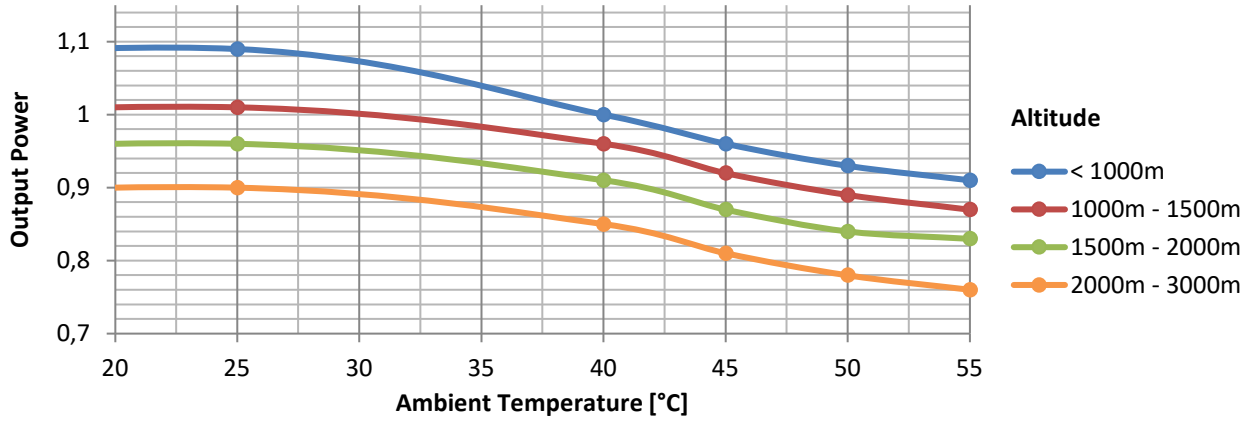
Bearing non drive end		6205-2Z-C3	
Bearing drive end (B3/B14 form)		6207-2Z-C3	
Weight of generator	in B2	kg	\
	in B3/B14	kg	61,1
	in B3/B9	kg	60,1

MOMENT OF INERZIA

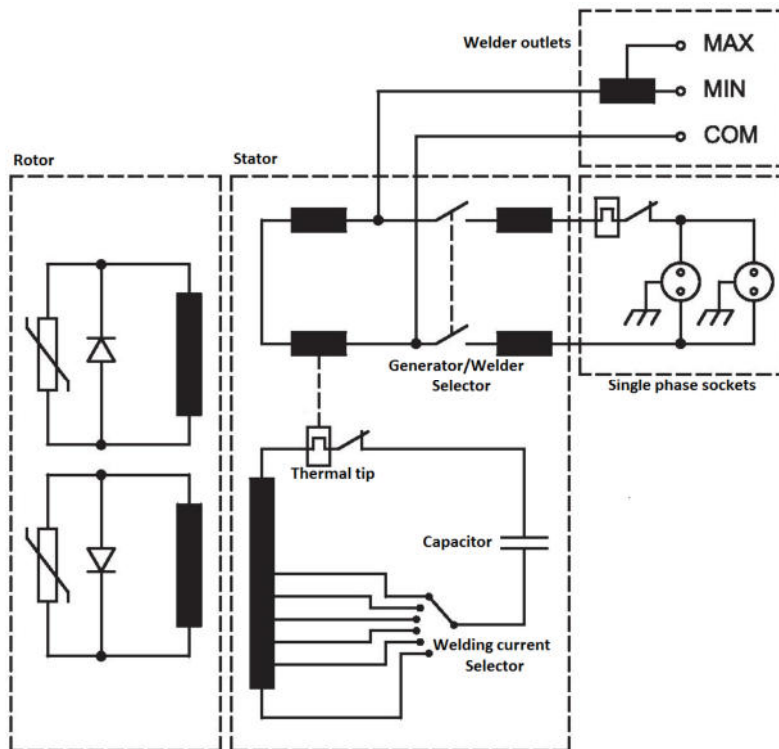
B3/B9	kg·m ²	0,027
B3/B14	kg·m ²	0,027

E1W11 220AC

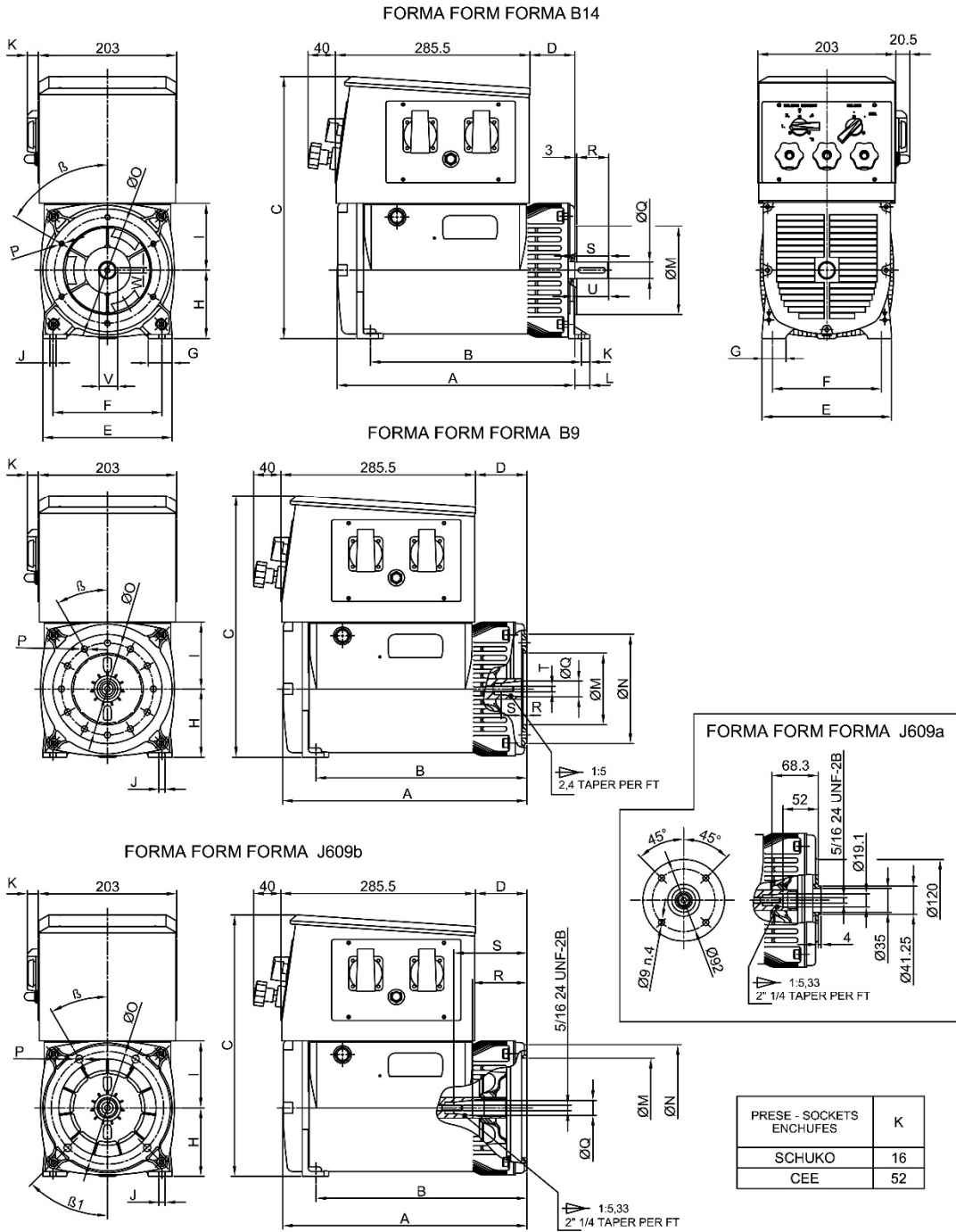
DERATING CURVES



WIRING DIAGRAM



E1W11 220AC



	FORMA FORM FORMA	A	B	C	D	E	F	G	H	I	J	K	L	ØM	ØN	ØO	β	β1	P	ØQ	R	S	T	U	V	W
E1W11 AC	B14	393	355		111						Ø11 n°4	15	30	Ø180		Ø202	45°		M10 n°4	Ø32 k6	54	58		60	35	10
	cono Ø23	415	362		133									Ø105	Ø160	Ø135	30°		Ø9 n°12	Ø23	8	25	M8			
	cono Ø30	398,5	345,5	411	116,5	220	190	40	112	115				Ø125	Ø185	Ø150	45°		Ø9 n°4	Ø30	16	30	M14x1,5			
	cono Ø38	398,5	345,5	411	116,5	220	190	40	112	115				Ø146	Ø185	Ø165					Ø38	5	30	M18x1,5		
	J609b	403	350		121									Ø163,6	Ø219	Ø196,8	30°	45°	Ø11 n°4	Ø25,4	63,5	107,7				