

TECHNICAL DATA SHEET



ALTERNATOR E1W10 200AC

AC brushless welder

E1W10 200AC

COMMON DATA

Rated Power at 50Hz	kVA	6,0	
Rated Power at 60Hz	kVA	7,2	
Rated Power Factor		1	
Nominal Temperature	°C	40	
Control System		self-excited	
Execution		brushless	
Regulation Type		capacitor	
Insulation Class		H	
Protection		IP21	
Maximum Over speed	rpm	4500	
Overload		110% of rated power for one hour in a cycle of 6 hours	
Air Flow Requirement	m ³ /min	3,6 at 50Hz	4,5 at 60Hz
R.F.I. Suppression		Standard EN55011	

REGULATION DATA

Regulation		Capacitor
Capacitor	μF	45
Voltage Regulation		±5%

WINDING DATA

Rotor Winding		with damping cage
Number of Leads of Stator		2
Stator Winding Resistance	Ω	0,562 at 20°C
Rotor Winding Resistance	Ω	4,95 at 20°C

STANDARD

References	EN60034-1 ISO8528-3 EN55011
------------	-----------------------------

E1W10 200AC

ELECTRICAL DATA

No load voltage	V _{AC}	52
Welding voltage	V _{AC}	20-29
Regulation range	A _{AC}	40-200
Max. current at 35%	A _{AC}	200
Max. current at 60%	A _{AC}	150
Max. current at 100%	A _{AC}	120
Stator Winding Resistance	Ω	0,0356 at 20°C
Electrodes type		acid; inox, rutile
Electrodes diameter	mm	1,5-4,0

MECHANICAL DATA

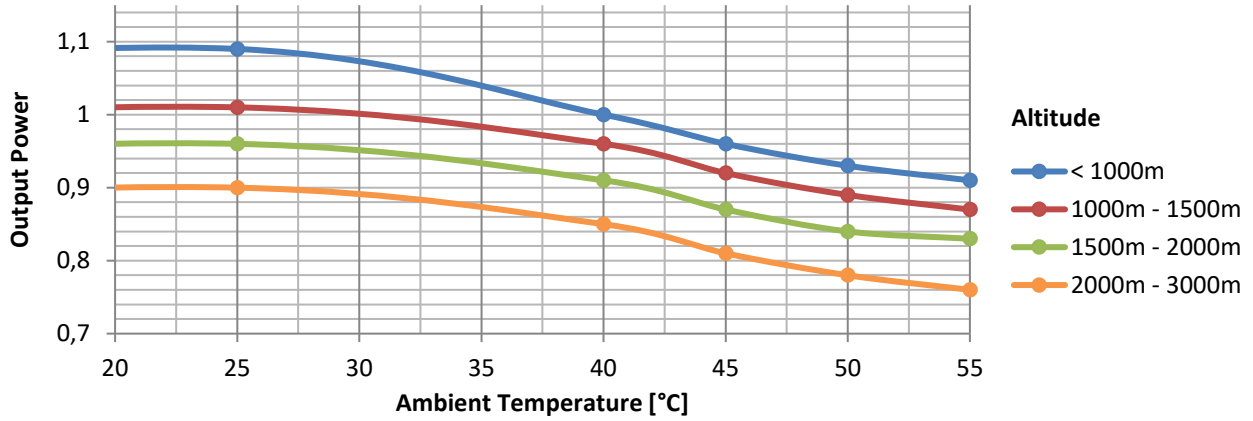
Bearing non drive end		6204-2Z-C3	
Bearing drive end (B3/B14 form)		6305-2Z-C3	
Weight of generator	in B2	kg	\
	in B3/B14	kg	41,2
	in B3/B9	kg	40,5

MOMENT OF INERZIA

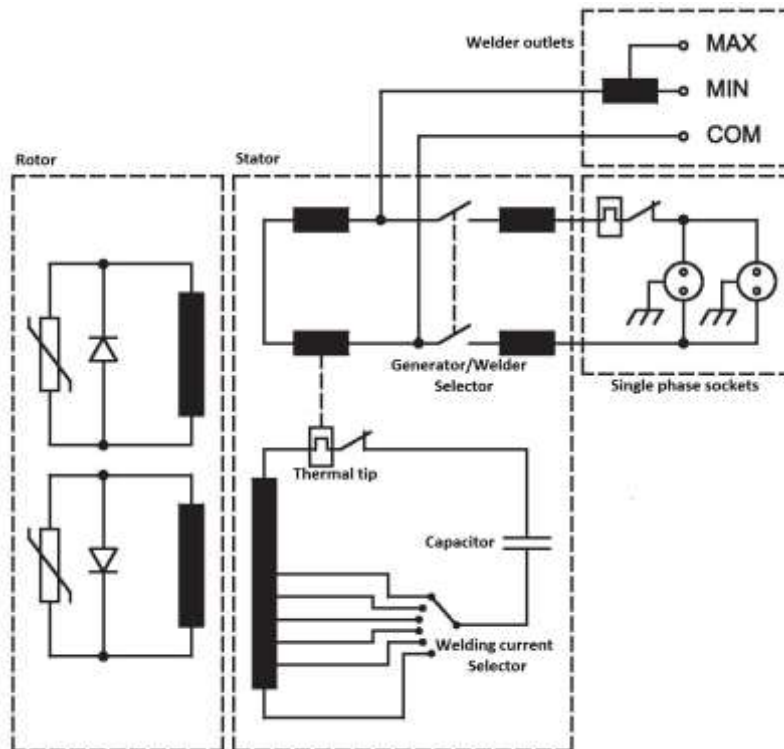
B3/B9	kg·m ²	0,019
B3/B14	kg·m ²	0,019

E1W10 200AC

DERATING CURVES

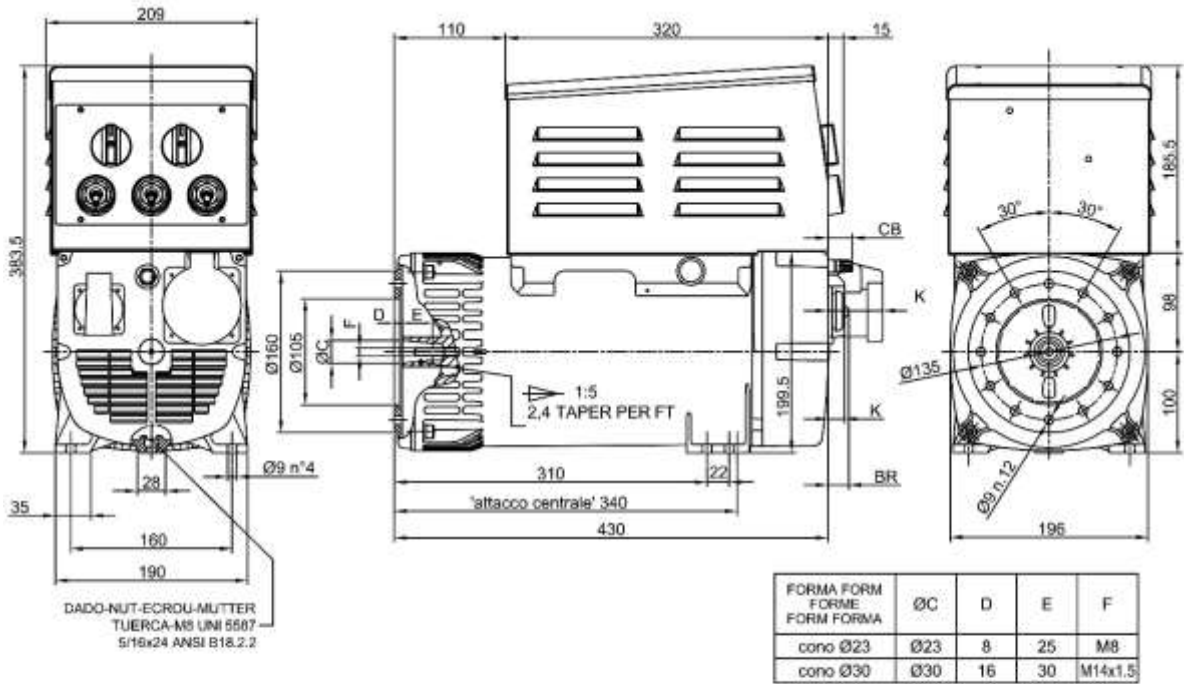


WIRING DIAGRAM

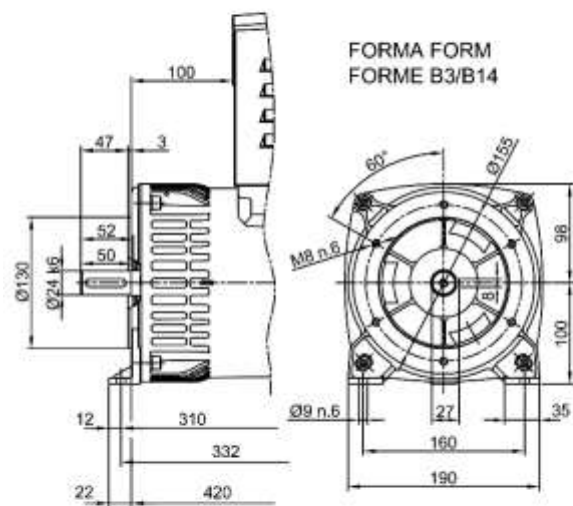


E1W10 200AC

FORMA FORM FORME B3/B9

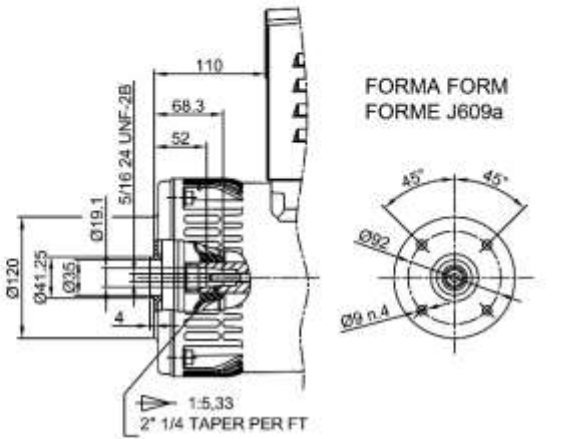


DADO-NUT-ECROU-MUTTER
TUERCA-MS UNH 5507
5/16x24 ANSI B18.2.2

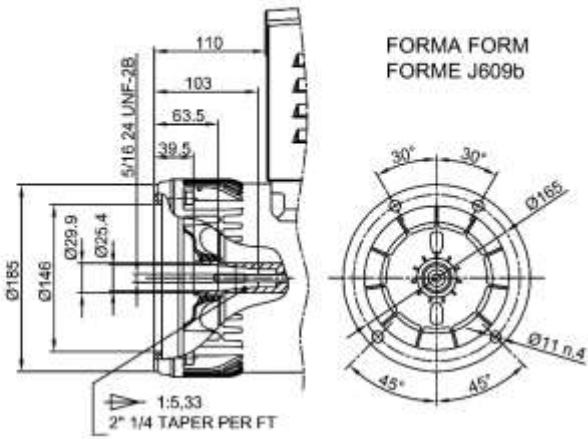


FORMA FORM FORME B3/B14

PRESE - SOCKETS	K
SCHUKO	16
CEE	52
BREAKER	BR
	20.5
CARICA BATTERIE BATTERY CHARGER	CB
	24



FORMA FORM FORME J609a



FORMA FORM FORME J609b