

TECHNICAL DATA SHEET



ALTERNATOR E1W10 150AC
AC brushless welder

E1W10 150AC

COMMON DATA

Rated Power at 50Hz	kVA	4,0	
Rated Power at 60Hz	kVA	4,8	
Rated Power Factor		1	
Nominal Temperature	°C	40	
Control System		self-excited	
Execution		brushless	
Regulation Type		capacitor	
Insulation Class		H	
Protection		IP21	
Maximum Over speed	rpm	4500	
Overload		110% of rated power for one hour in a cycle of 6 hours	
Air Flow Requirement	m ³ /min	3,6 at 50Hz	4,5 at 60Hz
R.F.I. Suppression		Standard EN55011	

REGULATION DATA

Regulation		Capacitor	
Capacitor	μF	35	
Voltage Regulation		±5%	

WINDING DATA

Rotor Winding		with damping cage	
Number of Leads of Stator		2	
Stator Winding Resistance	Ω	0,42 at 20°C	
Rotor Winding Resistance	Ω	4,7 at 20°C	

STANDARD

References	EN60034-1 ISO8528-3 EN55011		
------------	-----------------------------	--	--

E1W10 150AC

ELECTRICAL DATA

No load voltage	V _{AC}	55
Welding voltage	V _{AC}	20-27
Regulation range	A _{AC}	40-150
Max. current at 35%	A _{AC}	150
Max. current at 60%	A _{AC}	115
Max. current at 100%	A _{AC}	90
Stator Winding Resistance	Ω	0,065 at 20°C
Electrodes type		acid; inox, rutile
Electrodes diameter	mm	1,5-4,0

MECHANICAL DATA

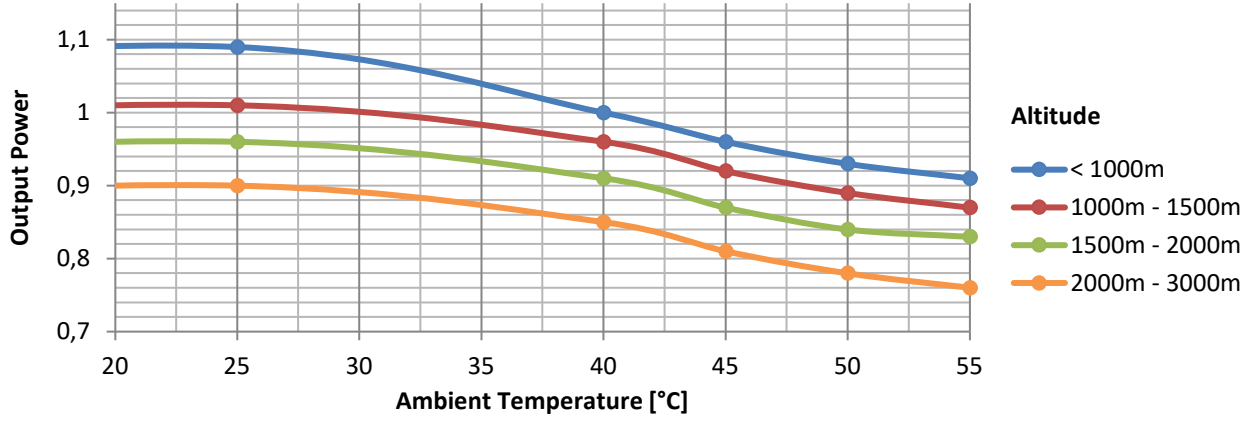
Bearing non drive end		6204-2Z-C3	
Bearing drive end (B3/B14 form)		6305-2Z-C3	
Weight of generator	in B2	kg	\
	in B3/B14	kg	36,8
	in B3/B9	kg	36,1

MOMENT OF INERZIA

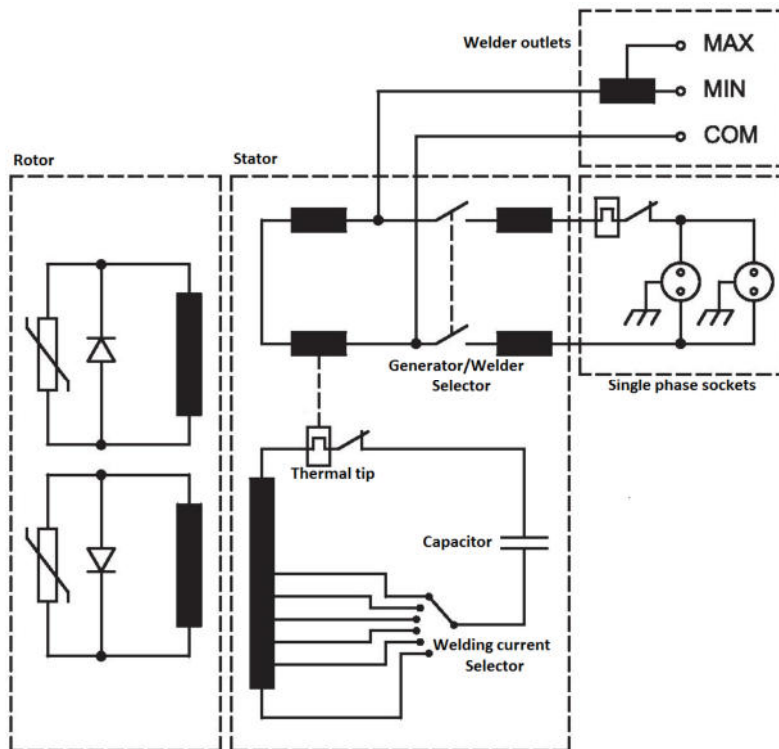
B3/B9	kg·m ²	0,016
B3/B14	kg·m ²	0,016

E1W10 150AC

DERATING CURVES



WIRING DIAGRAM



E1W10 150AC

FORMA FORM FORME B3/B9

