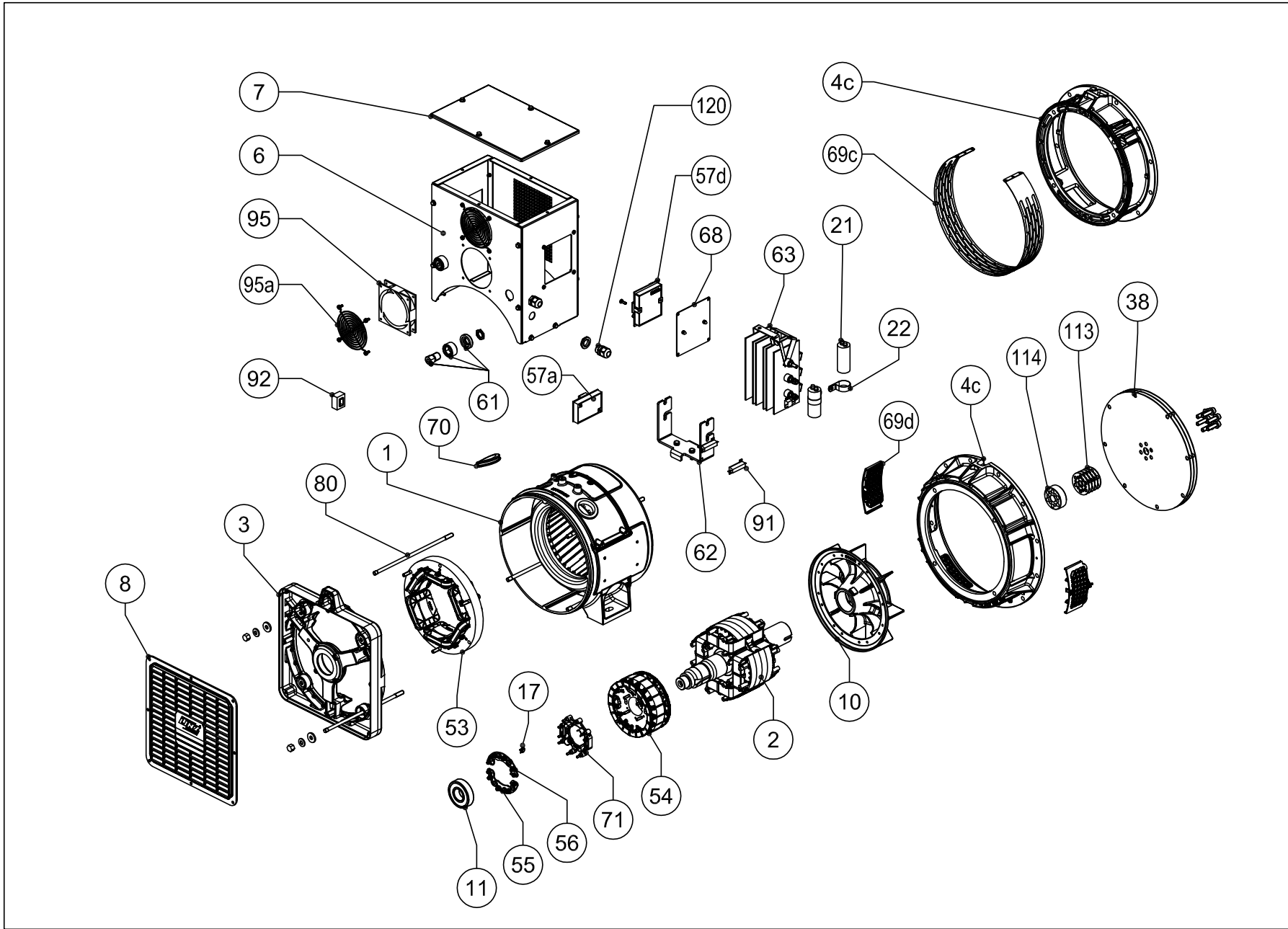


PHASE 9 SM 4 POLES



N°	RICAMBI PHASE 9 SM	SPARE PARTS PHASE 9 SM	LISTA DE REPUESTOS PHASE 9	PIECES DETACHEES PHASE 9	ERSATZTEIL PHASE 9
1	CARC. CON STATORE	FRAME WITH STATOR	CARC. CON ESTATOR	CARC. AVEC STATOR	GEHÄUSE MIT STATOR
2	INDUTT. ROTANTE MD35	MD35 ROTATING INDUCT.	INDUCT. ROTANTE MD35	ROUE POLAIRE MD35	MD35 DREHANKER
3	SCUDO POSTERIORE	REAR SHIELD	TAPA POSTERIOR	FLASQUE ARRIERE	HINTERER LAGERSCHILD
4c	SCUDO ANTERIORE SAE5 TONDO	FRONT COVER SAE5 ROUND	TAPA ANTERIOR SAE5	FLASQUE AVANT SAE5	SAE5 VORDERER LAGERSCHILD
4c	SCUDO ANTERIORE SAE4 TONDO	FRONT COVER SAE4 ROUND	TAPA ANTERIOR SAE4	FLASQUE AVANT SAE4	SAE4 VORDERER LAGERSCHILD
4c	SCUDO ANTERIORE SAE3 TONDO	FRONT COVER SAE3 ROUND	TAPA ANTERIOR SAE3	FLASQUE AVANT SAE3	SAE3 VORDERER LAGERSCHILD
6	SCATOLA BASETTA	TERMINAL BOX	CAJA DE BORNES	BOITE A BORNES	KLEMMENKASTEN
7	COPRISCATOLA BASETTA	TERMINAL BOX COVER	TAPA CAJA DE BORNES	COUVERCLE BOITE A BORNE	KLEMMENKASTEN DECKEL
8	PROTEZIONE POSTERIORE	REAR COVER	PROTECCION POSTERIOR	PROTECTION ARRIERE	HINTERER SCHUTZ
8	PROTEZIONE POSTERIORE CSA	CSA REAR COVER	PROTECCION POSTERIOR CSA	PROTECTION ARRIERE CSA	CSA HINTERER SCHUTZ
10	VENTOLA	FAN	VENTILADOR	VENTILATEUR	LÜFTER
11	CUSCINETTO POSTERIORE	REAR BEARING	COJINETE POSTERIOR	ROULEMENT ARRIERE	LAGER KUPPLUNGSGEGENSEITE (HINTEN)
17	VARISTORE	VARISTORE	VARISTOR	VARISTANCE	VARISTOR
21	CONDENSATORE	CAPACITOR	CONDENSADOR	CONDENSATEUR	KONDENSATOR
22	FASCETTA CONDENSATORE	CAPACITOR CLAMP	BRIDA CONDENSADOR	ATTACHE CONDENSATEUR	KONDENSATOR KABELBINDER
38	DISCHI SAE	SAE DISCS	DISCOS SAE	DISQUE SAE	SCHEIBEN SAE
53	STATORE ECCITATRICE	EXCITER STATOR	ESTADOR EXCITANTE	STATOR EXCITANT	AUFREGENDER STATOR
54	ROTORE ECCITATRICE	EXCITER ROTOR	ROTOR EXCITANTE	ROTOR EXCITANT	AUFREGENDER ROTOR
55	PORTADIODI POSITIVO	POSITIVE HOLDER	DIODO POSITIVO	DIODE POSITIVE	POSITIVE DIODE
56	PORTADIODI NEGATIVO	NEGATIVE HOLDER	DIODO NEGATIVO	DIODE NÉGATIVE	NEGATIVE DIODE
57a	REGOLATORE CL	CL REGULATOR	REGOLADOR CL	REGOLATEUR CL	CL REGLER
57d	REGOLATORE HVR11	HVR11 REGULATOR	REGOLADOR HVR11	REGOLATEUR HVR11	HVR11 REGLER
61	PRESA DINSE	DINSE SOCKET	ENCHUFE DINSE	DINSE SOCKET	DINSE SOCKET
62	PIASTRA PONTE PTS	PTS BRIDGE PLATE	PLACA DE PUENTE PTS	PLAQUE DE PONT PTS	PTS BRÜCKENPLATTEE
63	PONTE A DIODI PTS	PTS DIODE BRIDGE	PUENTE DE DIODO PTS	PONT DE DIODE PTS	PTS DIODENBRÜCKE
68	SUPPORTO REGOLATORE	REGULATOR SUPPORT	SOPORTO REGULADOR	SOUTIEN REGULATEUR	REGLER UNTERSTÜTZUNG
69c	PROTEZIONE SAE4 TONDO	PROTECTIVE SAE4 ROUND	PROTECCION SAE4	PROTECTION SAE4	SAE4 SCHUTZ
69c	PROTEZIONE SAE5 TONDO	PROTECTIVE SAE5 ROUND	PROTECCION SAE5	PROTECTION SAE5	SAE5 SCHUTZ
69d	PROTEZIONE SAE3 TONDO	PROTECTIVE SAE3 ROUND	PROTECCION SAE3	PROTECTION SAE3	SAE3 SCHUTZ
70	PASSACAVO	FAIRLEAD	PASO DE CABLE	PASSE-CÂBLE	KABELPASS
71	ISOLAMENTO PORTADIODI	DIODE ISOLATION	AISLAMIENTO DIODOS	ISOLATION DIODES	DIODENISOLATION
80	TIRANTI CASSA	HOUSING RODS	VARILLA ESTRUCTURA	BARRE STRUCTURE	GEHÄUSE STANGE
91	RESISTORE	RESISTORE	RESISTOR	RÉSISTANCE	WIDERSTAND
92	SONDA HAS	HAS PROBE	SONDE HAS	SONDE HAS	HAS SONDE
95	VENTILATORE	FAN	VENTILADOR	VENTILATEUR	LÜFTER
95a	GRIGLIA VENTILATORE	FAN GRID	CUADRÍCULA VENTILADOR	GRILLE VENTILATEUR	LÜFTERGITTER
113	ANELLO DISTANZIALE	SPACER RING	ANILLO DISTANZIADOR	BAGUE D'ESPACE	DISTANZRING
114	DISTANZIALE	SPACER	DISTANZIADOR	ENTRETOISE	DISTANZSHEIBE
120	PRESSACAVO PG16	PG16 CABLE PRESS	PRENSA DE CABLE PG16	PRESSE A CÂBLE PG16	PG16 KABELPRESSE

* Specificare codice dell'alternatore e data di produzione* Specify alternator's type and date of production* Precisar modelo del alternador y fecha de producción* Préciser type de l'alternateur et date de pro

