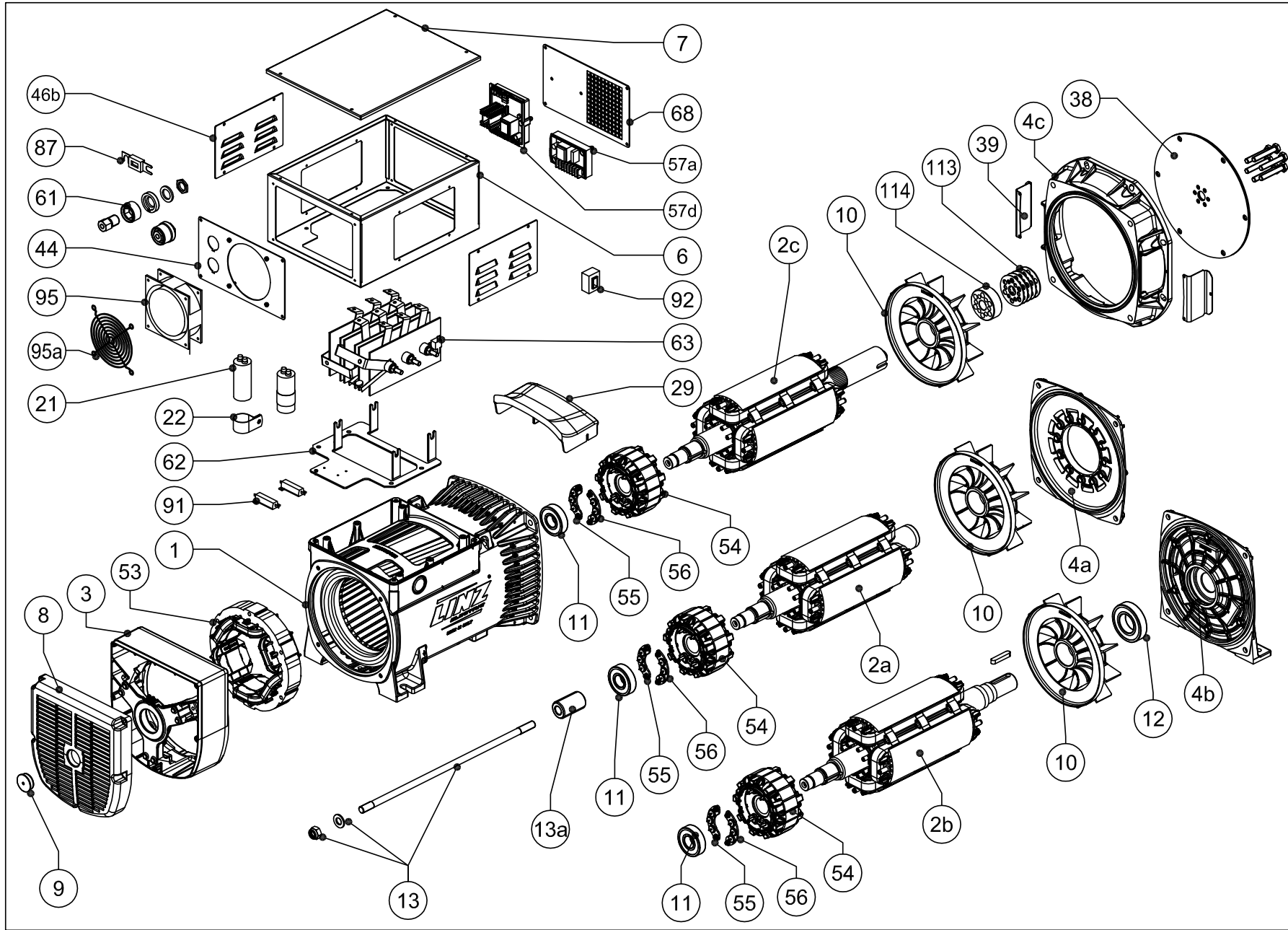


PHASE 9 ES-EM 2- 4 POLES



Nº	RICAMBI PHASE 9 ES-EM	SPARE PARTS PHASE 9 ES-EM	LISTA DE REPUESTOS PHASE 9 ES-EM	PIECES DETACHEES PHASE 9 ES-EM	ERSATZTEIL PHASE 9 ES-EM
1	CARC. CON STATORE	FRAME WITH STATOR	CARC. CON ESTATOR	CARC. AVEC STATOR	GEHÄUSE MIT STATOR
2a	INDUTT. ROTANTE B9	B9 ROTATING INDUCT.	INDUCT. ROTANTE B9	ROUE POLAIRE B9	DREHANKER B9
2b	INDUTT. ROTANTE B14	B14 ROTATING INDUCT.	INDUCT. ROTANTE B14	ROUE POLAIRE B14	DREHANKER B14
2c	INDUTT. ROTANTE MD35	MD35 ROTATING INDUCT.	INDUCT. ROTANTE MD35	ROUE POLAIRE MD35	DREHANKER MD35
3	SCUDO POSTERIORE ECCITATRICE	REAR SHIELD	TAPA POSTERIOR	FLASQUE ARRIERE	HINTERER LAGERSCHILD
4a	SCUDO ANTERIORE B9	B9 FRONT COVER	TAPA ANTERIOR B9	FLASQUE AVANT B9	VORDERER LAGERSCHILD B9
4b	SCUDO ANTERIORE B3/B14	B3/B14 FRONT COVER	TAPA ANTERIOR B3/B14	FLASQUE AVANT B3/B14	VORDERER LAGERSCHILD B3/B14
4c	SCUDO ANTERIORE MD35	MD35 FRONT COVER	TAPA ANTERIOR MD35	FLASQUE AVANT MD35	VORDERER LAGERSCHILD MD35
6	SCATOLA BASETTA	TERMINAL BOX	CAJA DE BORNES	BOITE A BORNES	KLEMMENKASTEN
7	COPRISCATOLA BASETTA	TERMINAL BOX COVER	TAPA CAJA DE BORNES	COUVERCLE BOITE A BORNE	KLEMMENKASTEN DECKEL
8	PROTEZIONE POSTERIORE	REAR COVER	PROTECCION POSTERIOR	PROTECTION ARRIERE	HINTERER SCHUTZ
9	TAPPO POSTERIORE	REAR CAP	TAPON	BOUCHON POSTERIEUR	HINTERER VERSCHLUSS
10	VENTOLA	FAN	VENTILADOR	VENTILATEUR	LÜFTER
11	CUSCINETTO POSTERIORE	REAR BEARING	COJINETE POSTERIOR	ROULEMENT ARRIERE	LAGER KUPPLUNGSGEGENSEITE (HINTEN)
12	CUSCINETTO ANTERIORE	FRONT BEARING	COJINETE ANTERIOR	ROULEMENT AVANT	LAGER KUPPLUNGSGEITE (VORNE)
13	TIRANTE CENTRALE	CENTRAL TIE ROD	TIRANTE DE LA TAPA	TIRANT CENTRAL	MITTELSTANGE
13a	BUSSOLA TIRANTE CENTRALE	BUSHING CENTRAL TIE ROD	BUJE CENTRAL DE BARRA	DOUILLE POUR TIRANT CENTRAL	BÜCHSE FÜR MITTELSTANGE
21	CONDENSATORE	CAPACITOR	CONDENSADOR	CONDENSATEUR	KONDENSATOR
22	FASCETTA CONDENSATORE	CAPACITOR CLAMP	BRIDA CONDENSADOR	ATTACHE CONDENSATEUR	KONDENSATOR KABELBINDER
29	PROTEZIONE ANTERIORE IP21	IP21 FRONT PROTECTION	PROTECCION ANTERIOR IP21	PROTECTION IP21	SCHUTZ IP 21
38	DISCHI SAE	SAE DISCS	DISCOS SAE	DISQUE SAE	SCHEIBEN SAE
39	PROTEZIONE SCUDO ANTERIORE MD35	MD35 FRONT SHIELD PROTECTION	PROTECCION TAPA ANTERIOR MD35	PROTECTION FLASQUE AVANT MD35	SCHUTZ LAGERSHIELD MD35 (HINTEN)
44	PANNELLO DINSE - VENTILATORE	DINSE PANEL - FAN	PANEL DINSE	PANNEAU DINSE	DINSE PANEL
46b	PANNELLO IP23	IP23 PANEL	PANEL IP23	PANNEAU IP23	IP23 PANEL
53	STATORE ECCITATRICE	EXCITER STATOR	ESTADOR EXCITANTE	STATOR EXCITANT	AUFREGENDER STATOR
54	ROTORE ECCITATRICE	EXCITER ROTOR	ROTOR EXCITANTE	ROTOR EXCITANT	AUFREGENDER ROTOR
55	DIODO POSITIVO COMPLETO	POSITIVE COMPLETE HOLDER	DIODO POSITIVO COMPLETO	DIODE POSITIVE COMPLÈTE	KOMPLETTE POSITIVE DIODE
56	PORTADIODI NEGATIVO COMPLETO	NEGATIVE COMPLETE HOLDER	DIODO NEGATIVO COMPLETO	DIODE NÉGATIVE COMPLÈTE	KOMPLETTE NEGATIVE DIODE
57a	REGOLATORE CL	CL REGULATOR	REGOLADOR CL	REGOLATEUR CL	CL REGLER
57d	REGOLATORE HVR11	HVR11 REGULATOR	REGOLADOR HVR11	REGOLATEUR HVR11	HVR11 REGLER
61	PRESA DINSE	DINSE SOCKET	ENCHUFE DINSE	DINSE SOCKET	DINSE SOCKET
62	PIASTRA PONTE PTS	PTS BRIDGE PLATE	PLACA DE PUENTE PTS	PLAQUE DE PONT PTS	PTS BRÜCKENPLATTE
63	PONTE A DIODI PTS	PTS DIODE BRIDGE	PUENTE DE DIODO PTS	PONT DE DIODE PTS	PTS DIODENBRÜCKE
68	PANNELLO REGOLATORE	REGULATOR PANEL	PANEL REGULADOR	PANNEAU RÉGULATEUR	REGLERFELD
87	FUSIBILE	FUSE	FUSIBLE	FUSIBLE	SICHERUNG
91	RESISTORE	RESISTORE	RESISTOR	RÉSISTANCE	WIDERSTAND
92	SONDA HAS	HAS PROBE	SONDE HAS	SONDE HAS	HAS SONDE
95	VENTILATORE	FAN	VENTILADOR	VENTILATEUR	LÜFTER
95a	GRIGLIA VENTILATORE	FAN GRID	CUADRÍCULA VENTILADOR	GRILLE VENTILATEUR	LÜFTERGITTER
113	ANELLO DISTANZIALE	SPACER RING	ANILLO DISTANZIADOR	BAGUE D'ESPACE	DISTANZRING
114	DISTANZIALE	SPACER	DISTANZIADOR	ENTRETOISE	DISTANZSHEIBE

* Specificare codice dell'alternatore e data di produzione* Specify alternator's type and date of production* Precisar modelo del alternador y fecha de producción* Préciser type de l'alternateur et date de production



LINZ ELECTRIC S.p.A.- Viale del Lavoro, 30 - 37040 Arcole (VR) ITALY - T. +39 045 7639201 -F. +39 045 7639202 - info@linzelectric.com - www.linzelectric.com

The features and specifications herein stated are in no way binding for LINZ ELECTRIC S.p.A. LINZ ELECTRIC S.p.A. is free to modify the product at any time without previous notice.

